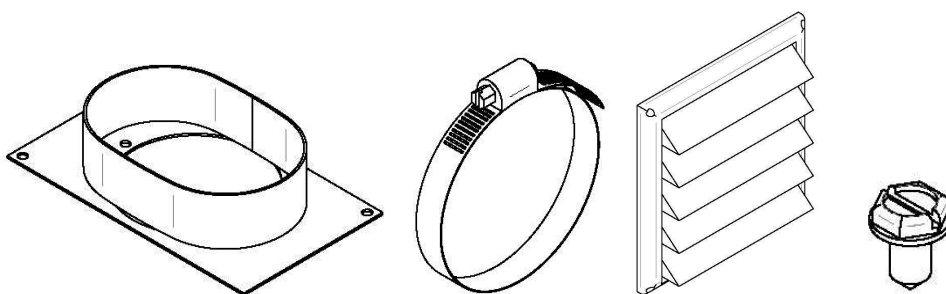




**PEDESTAL WOOD STOVE
FRESH AIR INTAKE KIT
OA10500**

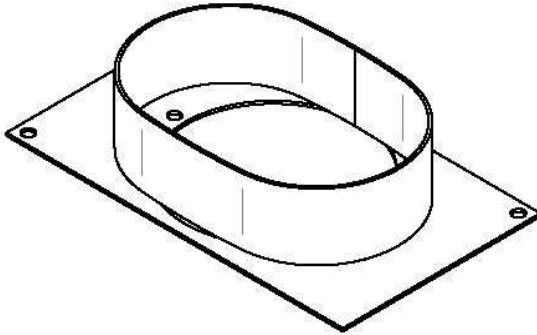
**INSTALLATION
INSTRUCTIONS**



Stove Builder International inc.
250, rue de Copenhague
Saint-Augustin-de-Desmaures Quebec, Canada G3A 2H3

This pedestal wood stove fresh air intake kit contains the following parts:

5" (127 mm) pedestal/floor
oval adapter.



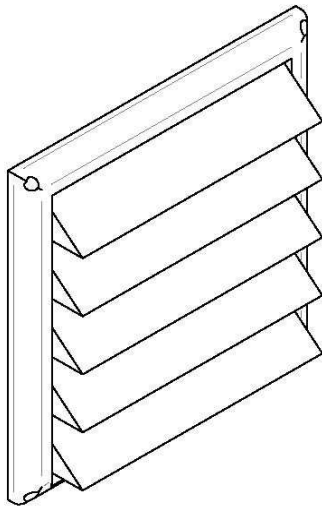
1x

Screws. 30132



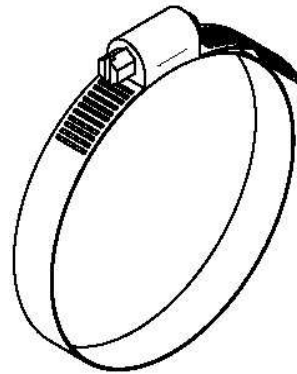
2x

Outside 5" (127 mm) diameter
air intake finishing cap.



1x

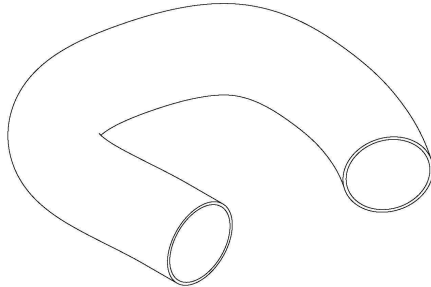
5" (127mm) diameter
fastening collar. 49030



2x

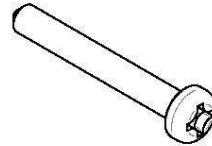
Other required parts (not included):

5" (127 mm) diameter
flexible insulated pipe. AC02090



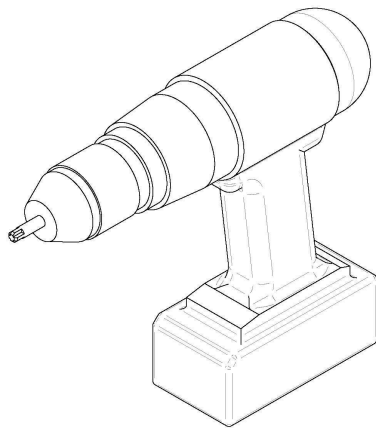
1x

Screws for outside air intake
finishing cap.

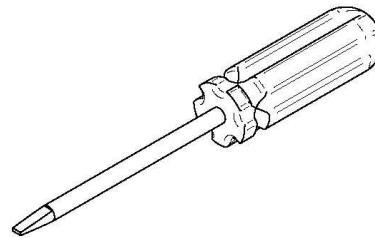


4x

Tools required for installation:



Powered driver



Flat head screwdriver

Note:

5" flexible insulated pipe is not included because the length of pipe needed may vary from an installation to another. A 5" (127mm) diameter X 4' (1.2 m) flexible insulated pipe is available under part #AC02090.

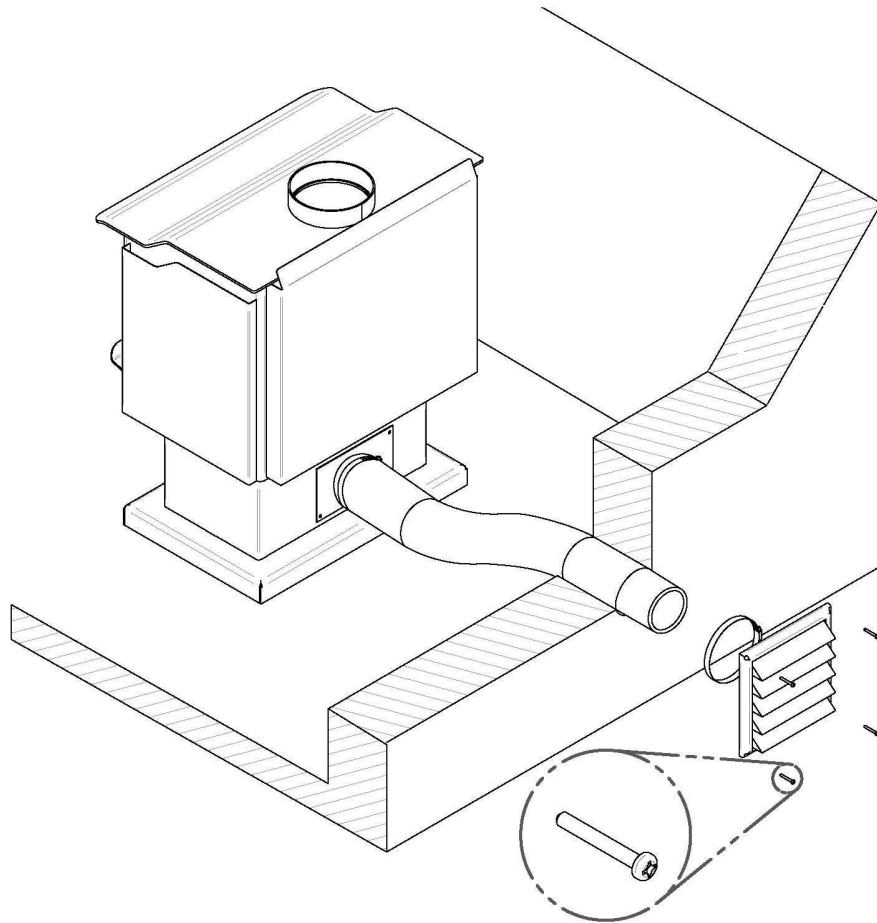
WARNING: TERMINATION MUST BE INSTALLED OUTSIDE OF THE BUILDING.

Installation

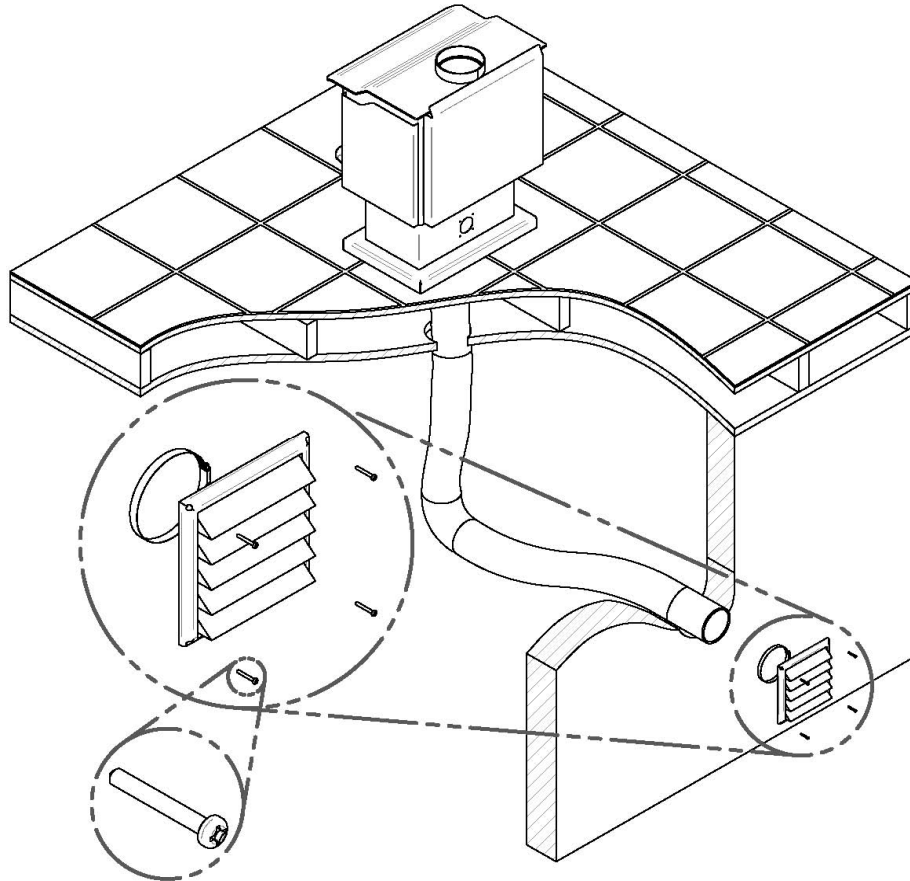
When combustion air is taken from outside, you can bring it directly to the pedestal or near the unit. In the second configuration we recommend that the distance between the air intake and the pedestal does not exceed 5' (1.52 m).

Here are four typical methods to bring fresh air into the unit. Only one method may apply to your unit. Images are for reference only; your appliance may differ from those shown.

A Installation of fresh air intake kit from the wall to the back of the pedestal

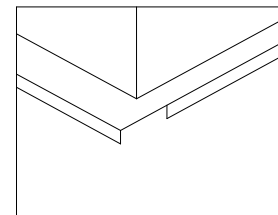


B Installation of fresh air intake kit from the floor to the base of the pedestal

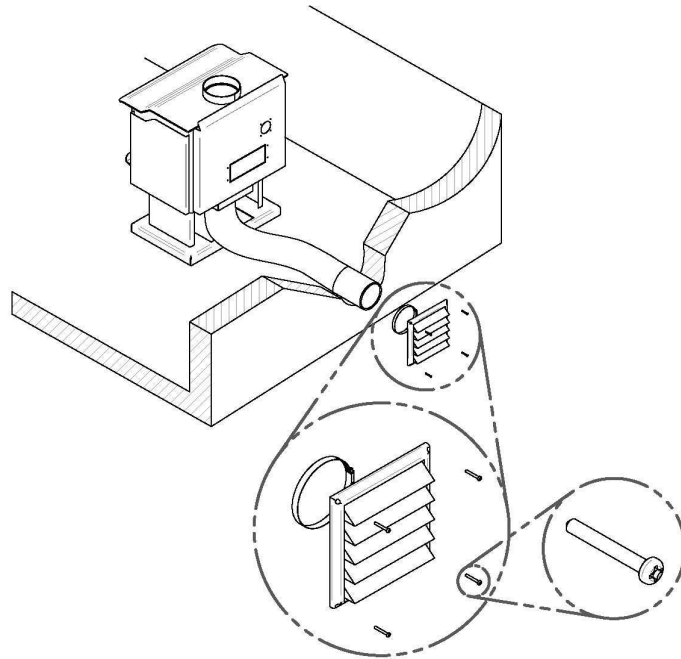


Note:

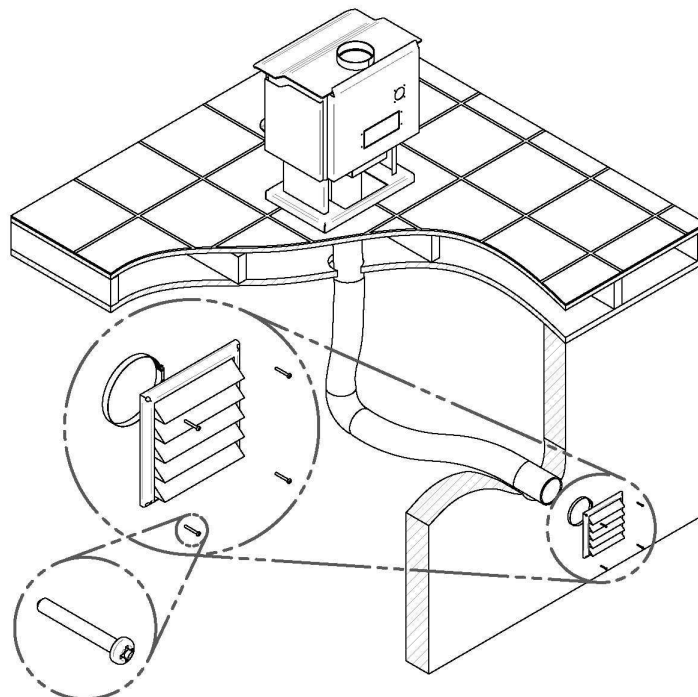
When using configuration **A** or **B**: make sure that there are no gaps between the pedestal base and the flooring. If any, they should be sealed with extra insulation. This is especially important with models where the pedestal flanges are open at the base of the pedestal, as shown on this figure.



C Installation of fresh air intake kit from the wall to the inside of the pedestal



D Installation of fresh air intake kit from the floor to the inside of the pedestal



Periodically inspect the fresh air intake kit to make sure it is not obstructed. One evident sign of air restriction or obstruction is to see smothering effect when burning kindling with the door closed.