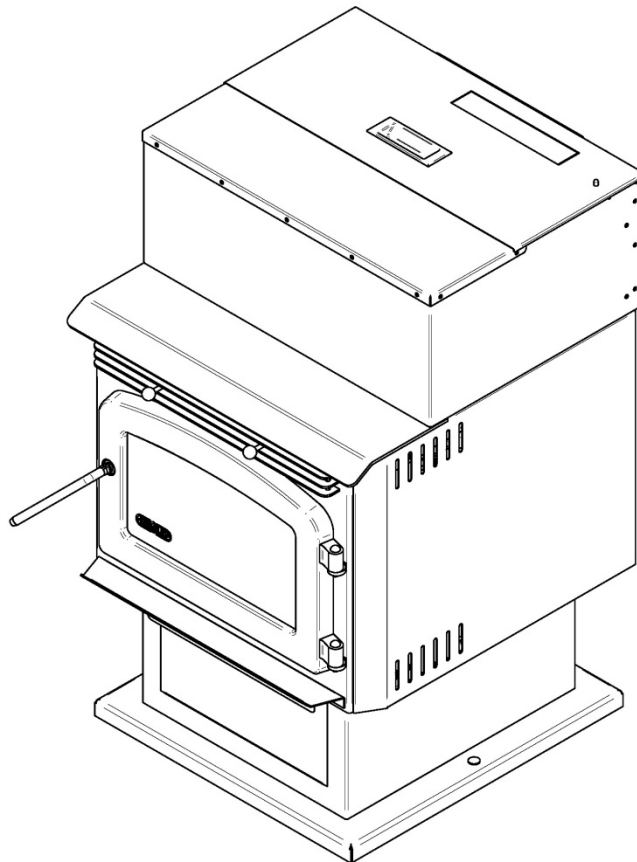




**HOPPER EXTENSION INSTALLATION
INSTRUCTIONS FOR
ECO-45 PELLET STOVE**



Step 1 : Remove the hopper lid. To do so, remove the 4 screws as shown on figure 1. Keep these screws.

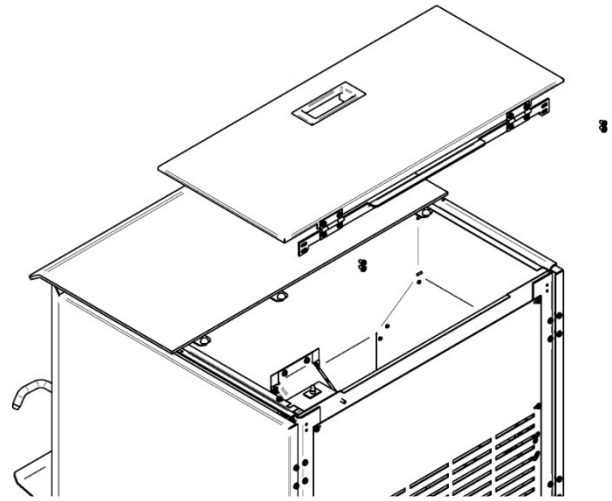


Figure 1

Step 2 : Open the decorative panels. To do so, remove the screws securing them in place as shown on figure 2. There is one screw per panel.

Remove the 2 screws securing the stove top in place. There is one screw per side. Keep these screws and remove the stove top. You will need to put it back in place later.

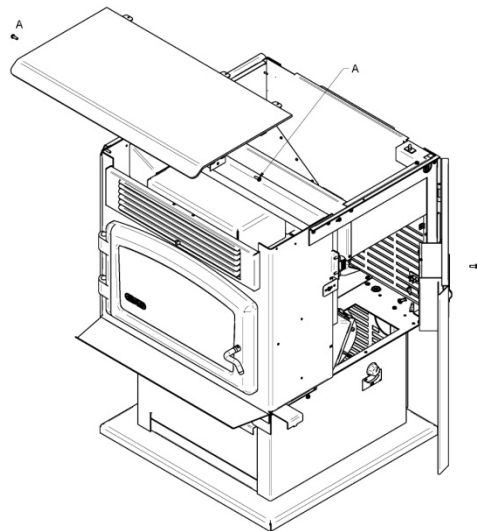


Figure 2

Step 3 : Unplug the security switch. Remove the 2 screws securing the security switch box in place. Keep these screws. You can dispose of the security switch box because a new one is supplied.

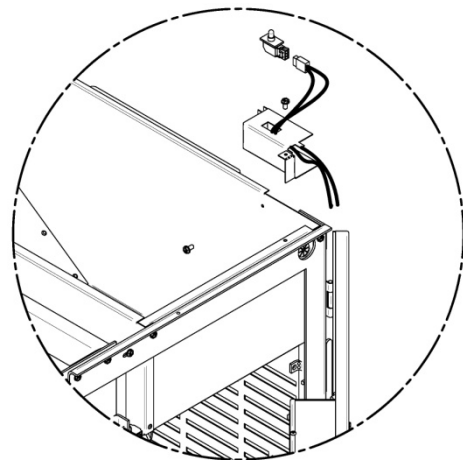


Figure 3

Step 4 : Remove the 10 screws securing the reinforcement in place. There are 5 screws per side. Refer to figure 4 and keep these screws.

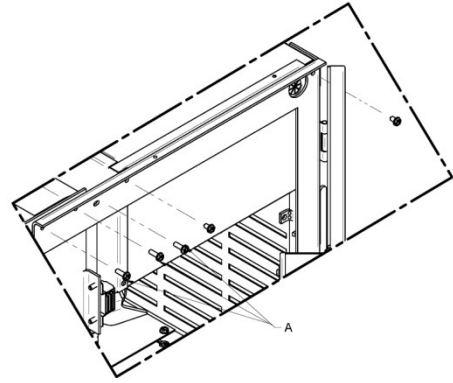


Figure 4

Step 5 : Install the hopper extension on the stove as shown on figure 5.

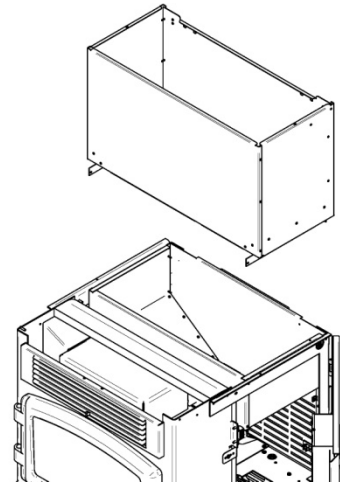


Figure 5

Step 6 : Put the stove top in place so that a small portion of its rear gets inserted underneath the hopper extension. You will know that it is correctly positioned when it is in contact with the hopper and the holes of the stove top and the reinforcement are aligned.

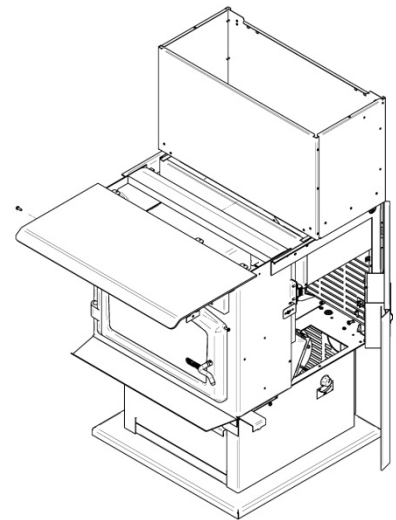


Figure 6

Step 7 : Secure the stove top in place using the 2 screws kept in step 2.

Secure the hopper extension using the 4 screws supplied. There are 2 screws per side (B screws).

Screw the 10 screws securing the reinforcement in place. There are 5 screws per side.

Close the decorative panels using the screws kept in step 2.

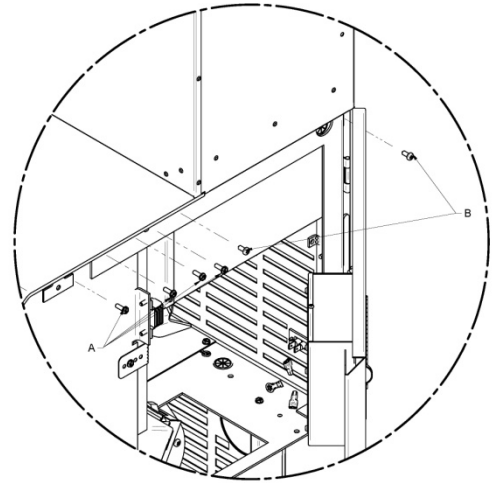


Figure 7

Step 8 : Plug the supplied extension cord on the security switch wire that you unplugged in step 3 and run it inside the channel (refer to figure 8.1).

Run the wire through the hole of the security switch box before connecting it to the switch.

Then, screw the new security switch box on the hopper extension using the 2 screws kept in step 3 (refer to figure 8).

Then, secure the channel using the 4 screws supplied so that the security switch wires are protected.

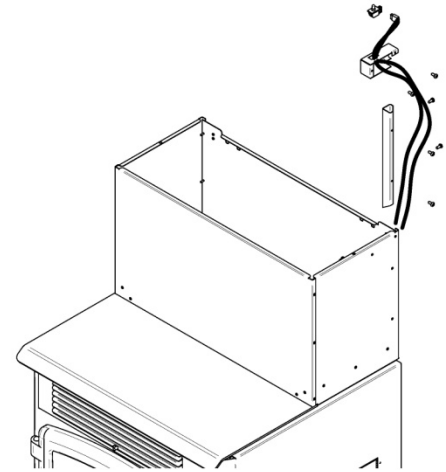


Figure 8

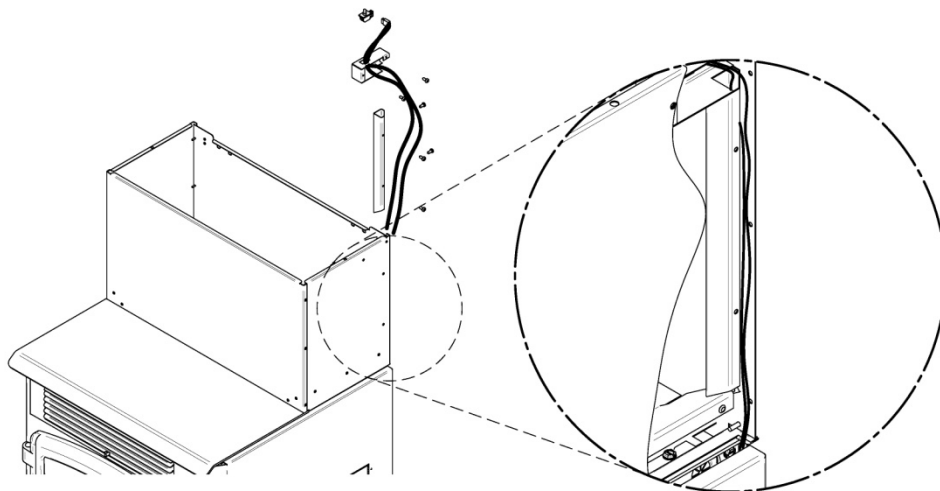


Figure 8.1

Step 9 : Place the hopper lid back in place and secure it using the 4 screws kept from step 1.

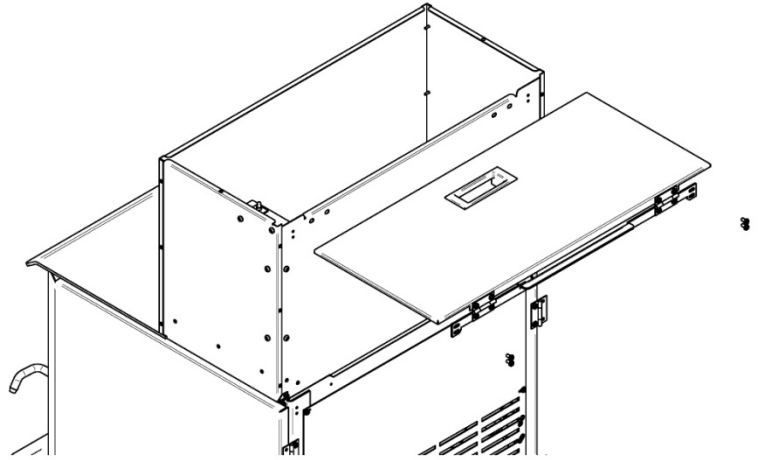


Figure 9

