



Installation

SBIHA-Black single wall pipe



A MAJOR CAUSE OF VENT RELATED FIRES IS FAILURE TO MAINTAIN REQUIRED CLEARANCES (AIR SPACES) TO COMBUSTIBLE MATERIALS.

IT IS OF THE UPMOST IMPORTANCE THAT THE STOVE PIPE BE INSTALLED ONLY IN ACCORDANCE WITH THESE INSTRUCTIONS.

Dear Customer, Installer, or End User:

Thank you and congratulations for purchasing an SBI Heating Accessories, stove pipe. We have worked to ensure that the stove pipe meets high standards for usability and durability. With proper care, your stove pipe will provide many years of service.

Please take the time to read this manual carefully to learn how to correctly install and maintain your stove pipe. Congratulations on your investment in quality.

We welcome any ideas, input or complaints to:
info@sbi-international.com

If you are searching for tech support or product information, please phone us at 418-878-3040, or write us at tech@sbi-international.com

When this pipe is not properly installed, a house fire may result. To reduce the risk of fire, follow the installation instructions. Contact local building or fire officials about restrictions and installation inspection requirements in your area.

Please read this entire manual before you install and use your stove pipe. Failure to follow instructions may result in property damage, bodily injury, or even death. It is important that you follow the installations guidelines exactly.

You may need to obtain a building permit for the installation. Consult your municipal building department or fire department before installation to determine the need to obtain one. We recommend that you also inform your home insurance company to find out if the installation will affect your policy.



This product must be installed according to Installation Code CSA B365

SBI HEATING ACCESSORIES
250 RUE DE COPENHAGUE | SAINT-AUGUSTIN-DE-DESMAURES
QUÉBEC, CANADA G3A 2H3

Specifications subject to change without notice
© 2012 SBI Heating Accessories
NOTICE: WE ARE NOT RESPONSIBLE FOR TYPOGRAPHICAL ERRORS.



CONTENTS

CLEARANCES	3
REDUCING WALL AND CEILING CLEARANCES SAFELY	3
REDUCED CLEARANCES USING APPROVED SHIELDING	3
TOOLS AND EQUIPMENT	4
PERMITS	4
APPLIANCE INSTALLATION	4
CHIMNEY INSTALLATION	4
GENERAL INSTALLATION PROCEDURES	4
A- HOW TO CONNECT TO A FACTORY BUILT CHIMNEY OR LISTED LINER	4
B- HOW TO CONNECT TO A MASONRY CHIMNEY	6
MAINTENANCE	6
SINGLE WALL CONNECTOR MAINTENANCE	6
WARRANTY	7

WARNING

- PROPER PLANNING FOR YOUR SINGLE WALL INSTALLATION WILL RESULT IN GREATER SAFETY, EFFICIENCY, AND CONVENIENCE, SAVING TIME AND MONEY.
- USE ONLY AUTHORIZED SBIHA LISTED PARTS.
- DO NOT MIX OTHER PRODUCTS OR IMPROVISED SOLUTIONS.
- DO NOT INSTALL DAMAGED CONNECTOR PARTS.
- STOVE PIPE WILL EXHIBIT A MODERATE PAINT-LIKE ODOR AND SMOKE DURING THE FIRST FEW USES.
- THIS IS THE NORMAL CURING OF THE FINISH AND WILL DISAPPEAR AFTER A FEW USES OF THE APPLIANCE.
- THE CHIMNEY ASSEMBLY IS FOR USE WITH LIQUID AND SOLID-FUEL-FIRED RESIDENTIAL APPLIANCES AND BUILDING HEATING EQUIPMENT WHERE THE FLUE-GAS TEMPERATURES DO NOT NORMALLY EXCEED 650°C.
- CHOOSE A STOVE THAT IS LISTED BY A RECOGNIZED TESTING AGENCY AND IS NOT LARGER THAN YOU NEED.
- CONNECT ONLY ONE APPLIANCE PER CHIMNEY.
- FOLLOW THE STOVE MANUFACTURER'S INSTRUCTIONS AND SAFETY MANUAL FOR MAXIMUM EFFICIENCY AND SAFETY. OVERFIRING CAN DAMAGE TO STOVE AND SINGLE WALL CONNECTOR.
- FOLLOW THE STOVE MANUFACTURER'S INSTRUCTIONS AND SAFETY MANUAL, NOT ALL STOVES ARE EQUIPPED TO BURN COAL. DO NOT BURN DRIFT WOOD, PLASTIC, OR CHEMICALLY TREATED WOOD SUCH AS RAILROAD TIES.
- IT IS STRICTLY FORBIDDEN TO INSTALL A DEVICE WITH SINGLE WALL PIPE IN A MOBILE HOME.

CLEARANCES

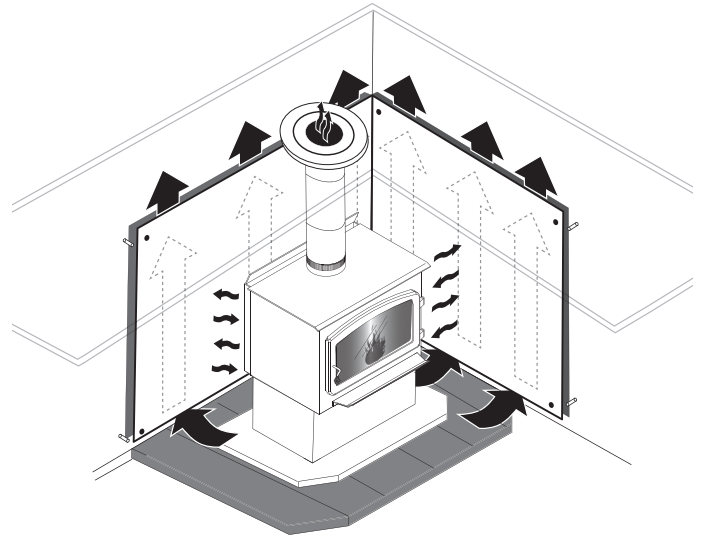
CANADA: Single wall pipe is listed by Intertek Laboratory as a connector pipe between (listed) appliance and chimney.
The minimum clearance from pipe to combustible surfaces is 18" from walls and the ceilings.

USA: The only deviation allowed is if the manufacturer's instructions show that their stove was tested and approved with closer clearance single wall pipe.

MOBILE HOMES: It is strictly forbidden to install a device with single wall pipe in a mobile home.

REDUCING WALL AND CEILING CLEARANCES SAFELY

It is often desirable to reduce the minimum installation clearances by placing the stove closer to walls so the installation takes up less floor space. You can safely reduce the minimum clearances by permanently installing a shield between the stove pipe and combustible material. The rules for safe shields can be complicated, so read them carefully and follow them exactly. Note that there may be minor regional differences in clearance reduction rules so be sure to check with your building or fire inspector before proceeding.



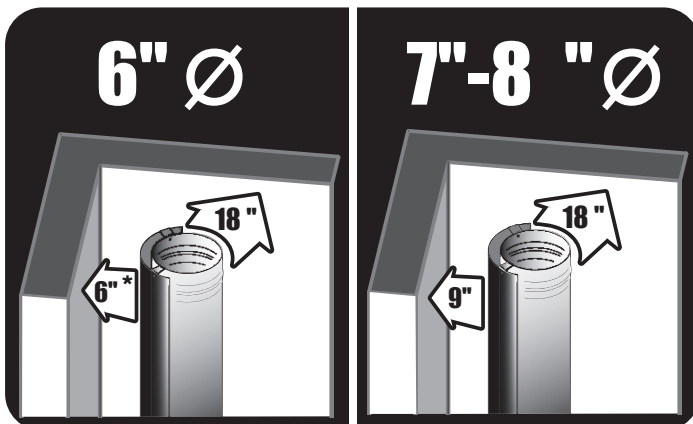
REDUCED CLEARANCES OF SBIHA SINGLE PIPE TO WALL WITH APPROVED SBIHA SHIELDING		
	CANADA	USA
6"	6"*	6"
7"-8"	9"	6"

*9" if shielding other than SBIHA is used.

USA PIPE CLEARANCE REDUCTION PERCENTAGES

Type of shield	Clearances may be reduced by these percentages		
	Sides and rear %	Top % (ceiling)	
Sheet metal, a minimum of 24 gauge (0.61 mm) in thickness, spaced out at least 25 mm (1 in)* by non-combustible spacers	67	50	

REDUCED CLEARANCES USING APPROVED SHIELDING



* Clearances must always respect those of the appliance itself

Reduced ceiling clearances are 9" in the USA

INSTALLATION

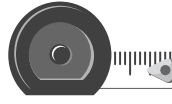
TOOLS AND EQUIPMENT YOU MAY NEED



Eye protection



Gloves



Measuring tape



Level



Screwdriver

PERMITS

Contact local Building or Fire Officials about permits, restrictions, and installation inspection in your area. All wood burning stoves require its own separate connector, and chimney system. **DO NOT ENCLOSE DOUBLE WALL CONNECTOR PIPE** or fittings and/or pass through walls, ceilings, attics or closets.

Appliance Installation:

The appliance must be installed following the manufacturer's instructions. The minimum clearances to combustibles must be maintained. Do not reduce the minimum appliance clearances when installing close clearance connector pipe (CC).

Chimney Installation:

The chimney must be installed according to applicable SBIHA or SBIHA installation instruction.

GENERAL INSTALLATION PROCEDURES

1. Position stove and floor shield to conform with the stove manufacturers clearance specifications; try to position it so as to avoid cutting any ceiling joists, roof rafters, or wall studs.
2. Connect the stove pipe to a chimney that meets the applicable codes in your area.

A - HOW TO CONNECT TO A FACTORY BUILT CHIMNEY OR LISTED LINER

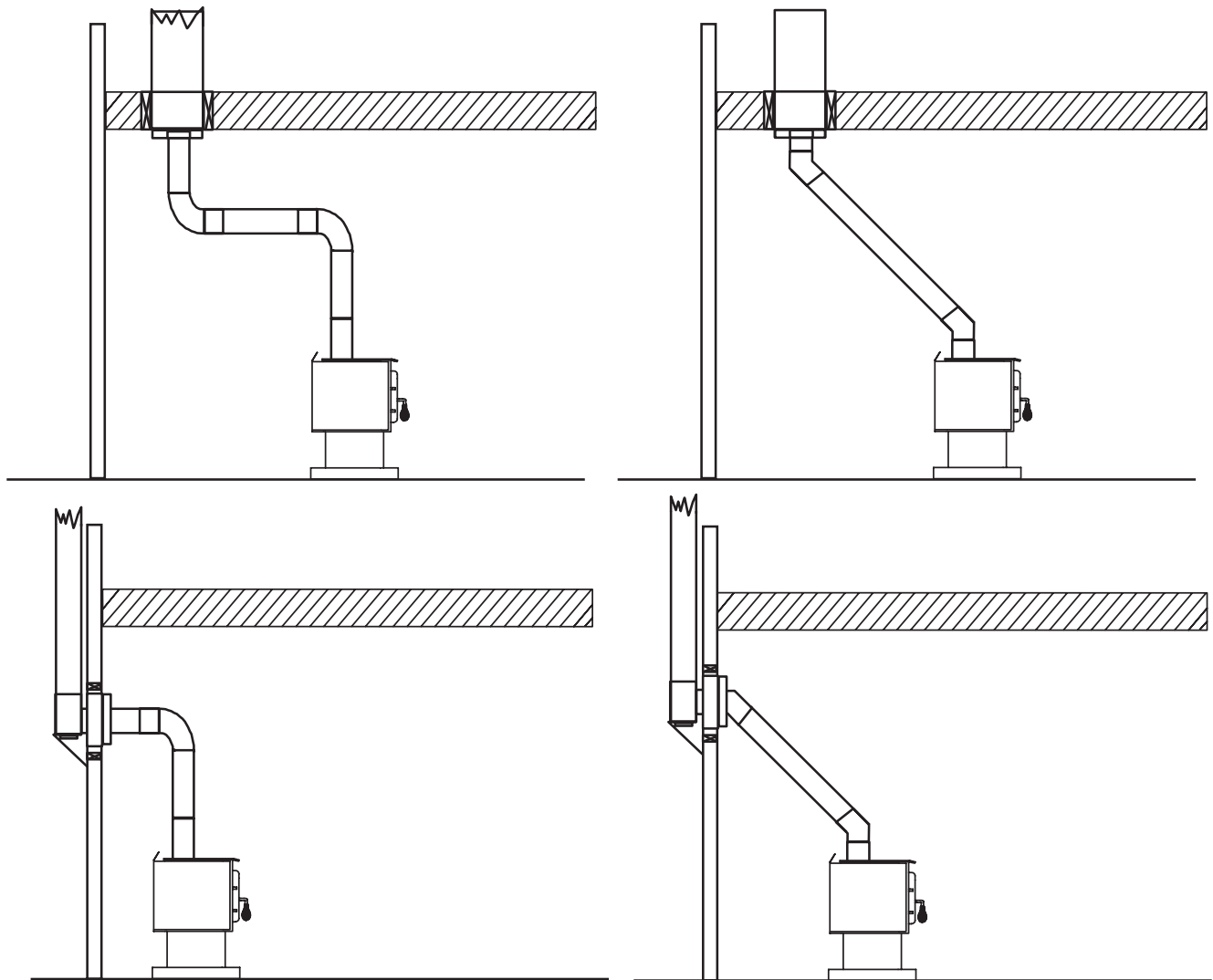
INSTALLATION OF SINGLE WALL CHIMNEY CONNECTOR

The chimney connector assembly has been called 'the weak link' in the safety of wood heating systems because failure to install the connector properly (which has been common in the past) can result in house fires.

The best flue pipe assembly is one that rises straight up from the stove to the base of the chimney with no elbows. Straight assemblies are less likely to cause problems like smoke roll-out when the door is opened for loading. They are also more stable and easier to maintain than assemblies with elbows. Horizontal runs of flue pipe should be avoided where possible because they reduce chimney draft.

The rules below are based on those found in the CSA B365 or NFPA 211 installation code. Please carefully follow these installation instruction rules, or those enforced where you live.

- Maximum overall length of straight pipe: 3 m (10 ft.) including elbows.
- Minimum clearance from combustible material: 450 mm (18 in.).
- The minimum clearance may be reduced by 50 percent to 225 mm (9 in.) if suitable shielding is installed either on the pipe or on the combustible surface.
- The assembly should be as short and direct as possible between the stove and chimney. The use of two 45 degree elbows is often preferable to a single 90 degree elbow because less turbulence is created in the exhaust flow and they result in less horizontal run.
- Maximum number of 90-degree elbows: 2.
- Maximum unsupported horizontal length: 1 m (3 feet).
- Galvanized flue pipes must not be used because the coatings vaporize at high temperatures and release dangerous gases. Use black painted flue pipes.
- Flue pipes must be at least 24 gauge in thickness.
- Flue pipe joints should overlap 30 mm (1 1/4 in.)
- Each joint in the assembly must be fastened with at least three screws.
- The assembly must have allowance for expansion: elbows in assemblies allow for expansion; straight assemblies should include an inspection wrap with one end unfastened, or a telescopic section.
- Minimum upward slope towards the chimney: 20 mm/m (1/4 in/ft.).
- One end of the assembly must be securely fastened to the flue collar with 3 sheet metal screws and the other end securely fastened to the chimney.
- There must be provision for cleaning of the pipes, either through a clean out or by removal of the pipe assembly. Removal of the assembly should not require that the stove be moved.
- The male ends of the sections must be oriented towards the appliance so that falling dust and condensation stay inside the pipe.
- A flue pipe must never pass through a combustible floor or ceiling or through an attic, roof space, closet or concealed space.
- Where passage through a wall or partition of combustible construction is desired, the installation shall conform to CAN/CSA-B365, Installation Code for Solid-Fuel-Burning Appliances and Equipment or NFPA 211.



Use 45 degree elbows where possible, instead of 90 degree elbows.

The ideal flue pipe assembly is one that rises straight up from the appliance flue collar and directly into the chimney with no elbows. A straight up connector assembly needs either a telescopic length or an inspection wrap (pipe coupler) to allow it to be assembled and disassembled without moving the stove.

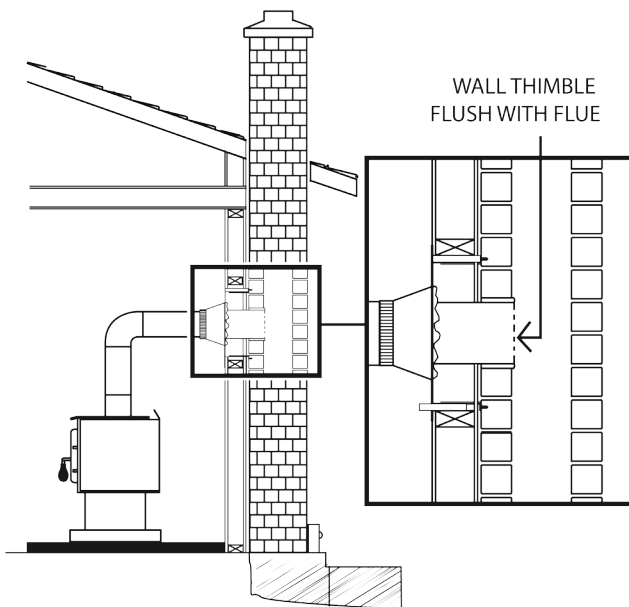
A straight flue pipe assembly offers the least restriction to gas flow and results in stronger draft. Straight assemblies also need less maintenance because there are no corners to collect creosote.

The chimney connector must be in good condition.

WARNING Single wall pipe cannot be use to reline a factory or masonry chimney.

B - HOW TO CONNECT TO A MASONRY CHIMNEY

The stove may also be connected to a masonry chimney, provided the chimney complies with the construction rules found in the building code enforced locally. The chimney must have either a clay liner or a suitably listed stainless steel liner. If the masonry chimney has a square or rectangular liner that is larger in cross sectional area than a round 6" flue, it should be relined with a suitably listed 6" stainless steel liner. Do not downsize the flue to less than 6" unless the venting system is straight and exceeds 25 feet in height. When passing through a combustible wall, the use of an insulated listed thimble is required.



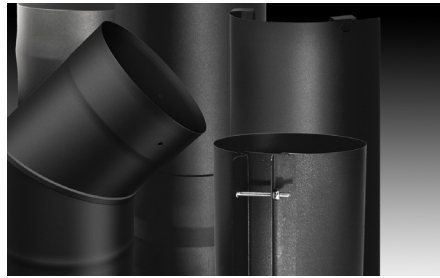
MAINTENANCE

SINGLE WALL CONNECTOR MAINTENANCE

Creosote and Soot-Formation and need for removal:

When wood is burned slowly, it produces tar and other organic vapors, which combine with expelled moisture to form creosote. The creosote vapors condense in the relatively cool flues of a slow burning fire. As a result, creosote residue accumulates on the flue lining. When ignited, this creosote makes an extremely hot fire.

1. **When to clean** - The connector and chimney should be inspected at least once every month during the heating season to determine if a creosote or soot has built up. It is recommended to clean thoroughly the chimney system at the end of every heating season. Check spark arrestor screens every 2-4 weeks. If creosote or soot has accumulated, it should be removed to reduce the risk of chimney fire.
2. **How to clean** — Have your connector and chimney cleaned by a professional chimney sweep if you have doubts about your ability to clean it. Use a plastic, wood or steel brush.
3. **Coal** — To reduce corrosion in connectors and chimneys where coal is burned, clean the chimney thoroughly within 48 hours of shutting down the stove for the season. Check the chimney lining for sulfuric acid corrosion regularly.
4. **No Chemical Cleaners** — Do not use chemical chimney cleaners. Their use does not eliminate the need for mechanical cleaning and they may be highly corrosive.
5. **In Case of Fire** — If a flue fire occurs, close all appliance draft openings and call your Fire Department. Do not use the chimney again until it is inspected for possible damage.



LIMITED LIFETIME WARRANTY SINGLE WALL STOVE PIPE

The warranty of the manufacturer extends only to the original consumer purchaser and is not transferable. This warranty covers brand new products only, which have not been altered, modified nor repaired since shipment from factory. A proof of purchase (dated bill of sale) must be supplied when making any warranty claim to your dealer.

This warranty applies to normal residential use only. Damages caused by misuse, abuse, improper installation, lack of maintenance, over firing, negligence, or accident during transportation are not covered by this warranty

This warranty does not cover any scratch, corrosion, or discoloration. Any defect or damage caused by the use of unauthorized parts or others than original parts void this warranty. An authorized qualified technician must perform the installation in accordance with the instructions supplied with this product and all local and national building codes. Any service call related to an improper installation is not covered by this warranty.

DESCRIPTION	WARRANTY APPLICATION
	PARTS
Manufacturing defects (welds)	Lifetime
Perforation and distortion	10 years
Paint (peeling) – not caused by over firing)	1 year

Shall your unit or a components be defective, contact immediately your dealer. Prior to your call make sure you have the following information necessary to your warranty claim treatment:

- Your name, address and telephone number;
- Bill of sale and dealer's name;
- Nature of the defect and any relevant information.

Before shipping defective component to our plant, you must obtain from your dealer an Authorization Number. Any merchandise shipped to our plant without authorization will be refused automatically and returned to sender.

