

ULTRA FLAME

DIRECT VENT "0" CLEARANCE GAS FIREPLACE

INSTALLATION AND OPERATING INSTRUCTIONS

WARNING: IMPROPER INSTALLATION, ADJUSTMENT, ALTERATION, SERVICE OR MAINTENANCE CAN CAUSE INJURY OR PROPERTY DAMAGE. REFER TO THIS MANUAL. FOR ASSISTANCE OR ADDITIONAL INFORMATION, CONSULT A QUALIFIED INSTALLER, SERVICE AGENCY, OR THE GAS SUPPLIER.

FOR YOUR SAFETY

DO NOT STORE OR USE GASOLINE OR OTHER FLAMMABLE VAPOURS AND LIQUIDS IN THE VICINITY OF THIS OR ANY OTHER APPLIANCE.

FOR YOUR SAFETY

WHAT TO DO IF YOU SMELL GAS:

- Do not try to light any electrical appliance
- Do not touch any electrical switch
- Do not use any phone in your building
- Immediately call your gas supplier from a neighbour's phone
- Follow the gas supplier's instruction
- If you cannot reach your gas supplier, call the fire department

Manufactured by :

DROLET STOVES & FIREPLACES INC.

1700 Leon-Harmel

Quebec, QC G1N 4R9

Canada

Tested by : Intertek Testing Services



WARNOCK HERSEY

Rev 07/98 45046A

TABLE OF CONTENTS

GENERAL INFORMATION	3
WARNING	4
SPECIFICATIONS	5
OPERATION	6
BEFORE LIGHTING	6
LIGHTING PROCEDURE	6
WALL THERMOSTAT	7
SHUTDOWN	7
BLOWER	7
MAINTENANCE INSTRUCTIONS	8
GLASS MAINTENANCE	8
BURST DISC REPLACEMENT	9
TOP, FRONT AND SIDE VIEWS	10
INSTALLATION	11
POSITIONING THE FIREPLACE	11
VENT TERMINAL LOCATION	12
MINIMUM CLEARANCE TO COMBUSTIBLES	13
INSTALLATION OF THE UNIT	14
VENTING KITS	16
1) STRAIGHT OUT INSTALLATION	17
2) CORNER INSTALLATION	17
3) BASEMENT INSTALLATION	18
VENTING SYSTEM	19
VENT TERMINAL, STRAIGHT OUT AND CORNER INSTALLATION	20
VENT TERMINAL, BASEMENT INSTALLATION	20
VENT TERMINAL, ROOF INSTALLATION	21
OPTIONAL BLOWER INSTALLATION	21
GLASS FRONT REMOVAL, CLEANING AND INSTALLATION	22
BURNER REMOVAL AND INSTALLATION	22
EMBER KIT INSTALLATION	23
LOG INSTALLATION	24
LOUVRE INSTALLATION	25
OPTIONAL REFRACTORY PANEL INSTALLATION	26
ADJUSTMENTS	27
ADJUSTING THE GAS PRESSURE	28
ADJUSTING AIR SHUTTER	29
WALL THERMOSTAT	29
OPTIONAL PARTS	30
REPLACEMENT PARTS	30
LIMITED 5 YEAR WARRANTY	31

GENERAL INFORMATION

The **ULTRA FLAME DIRECT VENT GAS FIREPLACE** is a high-efficiency free-standing gas appliance with a maximum input rating of 30 000 Btu/h with natural gas or 26,000 Btu/h with propane. It features a thermostatic modulating valve and a constant pilot. This means that you can set the height of the flame to your liking by turning the adjusting knob. An optional thermostat is also available for automatic room temperature control. The valve is also independent of any exterior electrical supply. Your appliance will therefore continue to heat your house in the event of a power failure.

For increased efficiency, we offer as an option a 200 CFM blower with speed control and thermo-switch. Your blower will therefore turn itself on or off automatically if you desire.

Read these instructions and consult your local building authorities before installing this appliance. Install the unit and its venting system only as described in these instructions.

KEEP THESE INSTRUCTIONS FOR FUTURE REFERENCE

This gas fireplace has been tested by Intertek Testing Services according to CGA-2.22-M96 and CAN/CGA-2.17-M91 for Canada and ANSI Z21.50-1996 and UL307B-1995 for USA.

It is mobile home approved. This appliance must be installed in accordance with the current Standard *Mobile Homes, CAN/CSA Z240 MR OR CAN/CSA Z240RV, RECREATIONAL VEHICLES* or with the *Manufactured Home Construction and Safety Standard, Title 24 CFR, Part 3280*, or when such a standard is not applicable, the current Standard for *Fire Safety Criteria for Manufactured Home Installations, Sites, and Communities, ANSI/NFPA 501A* or with the current Standard for *RECREATIONAL VEHICLES, ANSI A119.2/NFPA 501C*.

The unit can be installed in a range of altitude from 0 to 4 500 ft (0-1 370 m) in Canada. In USA see gas codes for operating above 2000 ft.

This appliance must be connected to a venting system.

Use only with Drolet Direct Vent Kit, supplied by manufacturer.

WARNING

INSTALLATION SHOULD BE DONE BY A QUALIFIED INSTALLER.

DO NOT BURN WOOD OR ANY OTHER MATERIAL IN THIS APPLIANCE.

HOT WHEN IN OPERATION. KEEP CHILDREN, FURNITURE, CLOTHING AND FLAMMABLE MATERIAL AWAY FROM THE APPLIANCE.

ADVISE ADULTS AND CHILDREN ABOUT THE HAZARD OF HIGH SURFACE TEMPERATURES AND THAT THEY SHOULD STAY AWAY TO AVOID BURNS OR CLOTHING IGNITION.

YOUNG CHILDREN SHOULD BE SUPERVISED WHEN THEY ARE IN THE SAME ROOM AS THE APPLIANCE.

THE APPLIANCE SHOULD BE INSPECTED BEFORE USE AND AT LEAST ANNUALLY BY A QUALIFIED SERVICE PERSON. MORE FREQUENT CLEANING MAY BE REQUIRED DUE TO EXCESSIVE LINT FROM CARPETING, BEDDING MATERIAL, ETC.

IT IS IMPERATIVE THAT THE CONTROL COMPARTMENTS, BURNERS AND CIRCULATING AIR PASSAGEWAYS BE KEPT CLEAN.

DO NOT MODIFY THIS APPLIANCE.

THE LOUVRED OPENINGS AT THE TOP AND BOTTOM OF THE FIREPLACE SURROUND SHOULD NEVER BE BLOCKED.

PROVIDE ADEQUATE ACCESSIBILITY CLEARANCES FOR SERVICING AND PROPER OPERATION.

SPECIFICATIONS

Dimensions: height 39", width 36", depth 20"

Glass: 29-1/8" x 17-3/4" 1400°F clear ceramic

Minimum opening in wall for installing the units:

height: 39-1/2"

width: 36-1/2"

<u>Fuel:</u>	<u>Natural Gas</u>	<u>Propane</u>	
Input :	30,000/ 20,000	26,000/20,000	Btu/h
Manifold pressure :	3.5/1.8	10.5/7.0	in w.c.
Min. inlet pressure :	5	11	in w.c.
Max. inlet pressure :	7	14	in w.c.
Efficiency:	75%		

Vent size: 4" inner 8" outer coaxial vent pipes

Valve: SIT Model Nova 820 adjustable millivolt valve

Blower: Variable speed, 200 CFM

Thermo-switch: 120°F "ON", 90°F "OFF" bi-metal type

Pressure relief device: Burst disc

Maximum length of venting pipe allowed:

Straight out installation: - Vertical rise: 0'
 - Max horizontal length: 5'
 - Max combination of both: 5'

Corner installation: - Vertical rise: 0'
 - Max horizontal length: 5'
 - Max combination of both: 5'

Basement installation: - Max vertical rise: 25'
 - Max horizontal length: 10'
 - Max combination of both: 25'

Maximum number of elbows 90° or 45°: 3

OPERATION

BEFORE LIGHTING

- 1) Do not use this appliance if any part has been under water. Immediately call a qualified service technician to inspect the appliance and to replace any part of the control system and any gas control which has been under water.
- 2) Make sure that there are no obstructions in the air intake or venting system.
- 3) Clear the immediate area of combustible materials, gasoline, and other flammable liquids and vapours.
- 4) Make sure that the gas log is in its proper place.

THE FIRST FIRE:

During the first few hours of operation the appliance will release an odor. This is caused by the burning off of residual oils used in the manufacturing process and by the curing of the high heat paint. The ceramic glass window may require cleaning after this initial "burn in." Please read the instructions on cleaning in the MAINTENANCE section before doing so.

The optional gold plated items must be **absolutely clean** before you light each fire. The acid from your fingerprints may permanently etch the gold plating.

If the protective packaging that accompanied the gas log is still in place, follow the instructions in the LOG PLACEMENT section.

LIGHTING PROCEDURE

WARNING: If you do not follow these lighting instructions exactly, a fire or explosion may result causing property damage, personal injury, or loss of life.

Open the pedestal cover front panel to reach the control.

Make sure the gas control knob is turned to the "off" position. If it is not, press knob slightly and turn clockwise to the "off" position. **Do not force the gas control knob.** If the gas control was in the on position you should wait 5 minutes before trying to re-light the fireplace.

- If you smell gas **STOP** and follow instructions on the COVER page.
- Push in and turn gas control knob counterclockwise to the "pilot" position.

- Press gas control knob in and hold. Immediately push the red igniter button repeatedly until pilot flame ignites. Continue holding in the control knob for 5 to 10 seconds, then release it. If the pilot flame goes out, repeat this step.
- Push and turn gas control knob counterclockwise to the "on" position.

CAUTION: This fireplace is hot while in operation. Do not touch. Keep children, clothing and flammable materials away.

WALL THERMOSTAT

To operate your ULTRA FLAME using the wall thermostat, follow the lighting procedure and set the gas control to the ON position. Simply set your wall thermostat to a comfortable temperature and the fireplace will do the rest.

During the heating season, you do not have to touch the gas control valve. If you would like the fireplace off for a while, just set the thermostat to its minimum setting. However if you do not need the fireplace for quite some time, follow the procedure outlined in the SHUTDOWN section. This will extinguish the pilot light as well.

SHUTDOWN

Push in and rotate the gas control knob clockwise to the "off" position. Do not force.

If you are going to perform any maintenance or cleaning, first allow the fireplace to cool completely. Follow the instructions in the section on cleaning under MAINTENANCE INSTRUCTIONS.

BLOWER

The blower control contains a variable speed switch and a thermal switch. When the fireplace is operating, the thermal switch will turn on at 120° F, allowing the blower to operate. When the fireplace cools to 90° F, the thermal switch turns off the blower in about 40 minutes. This prevents the blower from operating when the fireplace is not in use.

The blower not only helps circulate air throughout the room, it also increases the heat output and efficiency of the ULTRA FLAME.

MAINTENANCE INSTRUCTIONS

TURN OFF THE GAS WITH THE SHUTDOWN VALVE AND DISCONNECT THE ELECTRICAL POWER BEFORE SERVICING THE APPLIANCE.

The venting system and the gas fireplace should be inspected at least once a year.

Remove the glass front and the logs and clean them if necessary.

The control compartment, air circulating passages, firebox, logs and burner should be cleaned at least once a year by vacuuming or brushing.

Check the pilot flame to see if it is adjusted properly. Readjust the pilot flame if necessary (as described below) or clean the pilot orifice if readjustment is not possible.

Check the burner for flame lifting or for unusual flame pattern. If necessary clean the burner orifice. For more information, see “Adjustments” in the INSTALLATION section.

Keep the area clear and free from combustible materials, gasoline and other flammable vapours and liquids.

GLASS MAINTENANCE

We have supplied your ULTRA FLAME with special ceramic glass which will withstand the heat from the unit without cracking. **Be careful not to hit the glass.**

NOTE:

Never clean this glass with abrasive cleaners.

Use only a cleaner recommended by your dealer.

Never clean glass while it is still hot.

Do not operate the fireplace with the glass broken or removed

For removing your glass front see page 22.

If Your Glass Breaks:

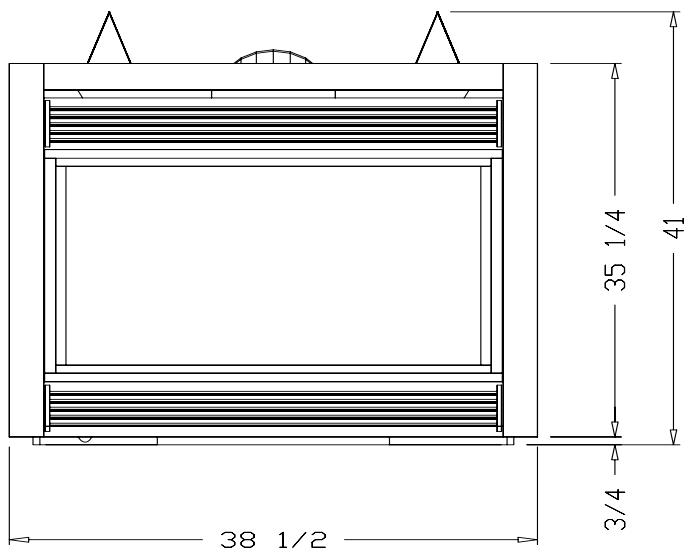
- See your dealer for exact replacement glass.
- Remove front as explained above. With a 5/16” nut driver remove all nuts holding the glass retainers. Carefully remove retainers and seal.
- After removing all broken glass pieces, insert new glass and reinstall seal and brackets. If the seal is damaged, replace it with an identical new seal from your dealer.

BURST DISC REPLACEMENT

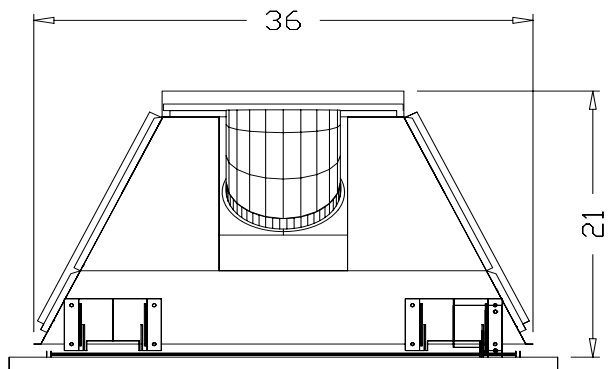
If the burst disc under the burner moves from its location, it must be put back in place into the silicone seal. Make sure the switch is depressed all the way during the installation. Otherwise the appliance will not operate.

WARNING: Never glue or lubricate the disc to the silicone seal. Do not put any object under the disc.

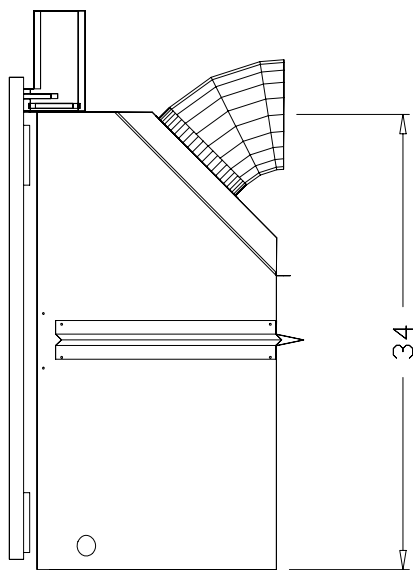
TOP, FRONT AND SIDE VIEWS



FRONT VIEW



TOP VIEW



SIDE VIEW

INSTALLATION

SAFETY NOTICE

Improper installation may result in a house fire. Follow installation directions. Installation must be in accordance with local building codes or, in the absence of local codes, with current CAN/CGA B 149 installation codes for gas appliances in Canada and current National Fuel Gas Code ANSI Z223.1 in the USA.

INSTALLATION SHOULD BE DONE BY A QUALIFIED INSTALLER.

THIS GAS FIREPLACE MUST BE VENTED OUTSIDE.

THIS GAS FIREPLACE, WHEN INSTALLED WITH OPTIONAL BLOWER OR HAND HELD REMOTE, MUST BE ELECTRICALLY GROUNDED IN ACCORDANCE WITH LOCAL CODES OR, IN THE ABSENCE OF LOCAL CODES, WITH THE *National Electrical Code, ANSI/FPA 70, or the CANADIAN ELECTRICAL CODE, CSA C22.1.*

POSITIONING THE FIREPLACE

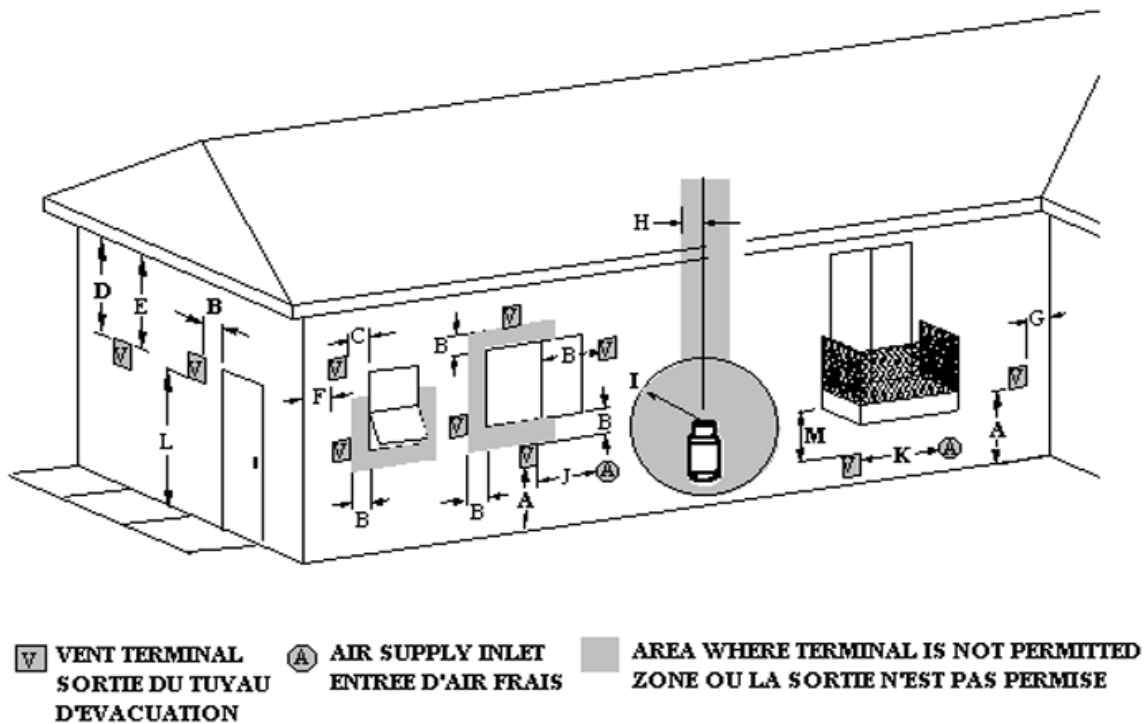
- **WARNING:** Because of high operating temperatures, the ULTRA FLAME should be located away from high traffic areas, furniture, curtains, and other combustible material.
- Always locate the fireplace as near as possible to an outside wall to keep vent length to a minimum.
- Provide adequate accessibility clearances for servicing and proper operation.
- Provide adequate clearances around air openings into the combustion chamber.
- The ULTRA FLAME may be installed in a bedroom provided that all required clearances are met and a wall thermostat is installed.
- Never install the fireplace in a hallway or near a staircase as it may block the way in case of a fire.
- If the appliance is being installed on combustible flooring, such as directly on carpeting, tile, or other combustible material other than wood flooring, the appliance shall be installed on a metal or wood panel extending the full width and depth of the appliance.

A GAS APPLIANCE MUST NOT BE CONNECTED TO A CHIMNEY FLUE SERVING A SEPARATE SOLID-FUEL BURNING APPLIANCE.

VENT TERMINAL LOCATION

Your Ultra Flame fireplace vents through a vent terminal installed on the roof or on the outside of any exterior wall of your house. Many restrictions apply to the vent terminal location that should be considered before locating your fireplace.

The following drawing presents a summary of most of these restrictions.



A = 12" Clearance above grade, veranda, porch, deck or balcony

B = 12" Clearance to window or door that may be opened

C = 12" Clearance to permanently closed window

D = 18" Vertical clearance to ventilated soffit located above the terminal within a horizontal distance of 2 feet (60 cm) from the center-line of terminal (straight out or corner installation)

D = 24" (Basement installation)

E = 12" Clearance to unventilated soffit (straight out or corner installation)

E = 24" (Basement installation)

F = 12" Clearance to outside corner

G = 12" Clearance to inside corner

H = Not to be installed above a meter/regulator assembly within 3 feet (90 cm) horizontally from the center-line of the regulator *

I = 72" Clearance to service regulator vent outlet

ULTRA FLAME DV “0” Clearance Fireplace

J = 12" Clearance to non-mechanical air supply inlet to building or the combustion air inlet to any other appliance

K = 72" Clearance to a mechanical air supply inlet

L = 84" ① Clearance above paved sidewalk or a paved driveway located on public property

M = 36" ② Clearance under veranda, porch, deck, or balcony

① A vent shall not terminate directly above a sidewalk or paved driveway which is located between two single family dwellings and serves both dwellings *

② Only permitted if veranda, porch, deck, or balcony is fully open on a minimum of 2 sides beneath the floor *

* As specified in current CGA B149 Installation Codes.

NOTE: Local codes or regulations may require different clearances

In addition, the following restrictions also apply.

When the vent terminal is accessible, a certified guard shall be installed around the terminal. This guard is available as an option, identified as part #E5480, for straight and corner terminals and #E5482 for the basement terminal.

The vent terminal may not be recessed into the wall or siding.

The vent terminal shall not terminate :

- Within 3 ft. of a building mechanical air supply.
- Less than 12 inches from a perpendicular wall.
- In an area which is allocated to the occupancy.
- Under a window that pivots open.

In addition, in a structure with three walls and a roof , the following restrictions apply:

- a) The minimum distance between the two side walls must be 72".
- b) The roof must not exceed the walls more than 24".
- c) If both those conditions apply, the clearance shall be as follows:

- 18" to a side wall.
- 12" to an unventilated soffit, 24" for basement or distant installation.
- 18" to a ventilated soffit, 24" for basement or distant installation.

NOTE: If the fireplace is installed in an outside chase, the chase walls must be insulated with vapour barrier and insulation similar to the house exterior wall.

MINIMUM CLEARANCE TO COMBUSTIBLES

ULTRA FLAME DV “0” Clearance Fireplace

Top of fireplace (spacer)	0"
Back of fireplace	0"
Sides of fireplace	0"
Bottom of fireplace	0"
Vent pipe:	2"
Wall perpendicular to the standard surround	1/2"
Mantel (from upper part of the standard surround)	6" if the projection is up to 6" 12" if the projection is over 6"

NOTE: If you install decorative posts to support the mantel shelf, they can be located 1/2" away from the side of the fireplace surround, no matter how big they are.

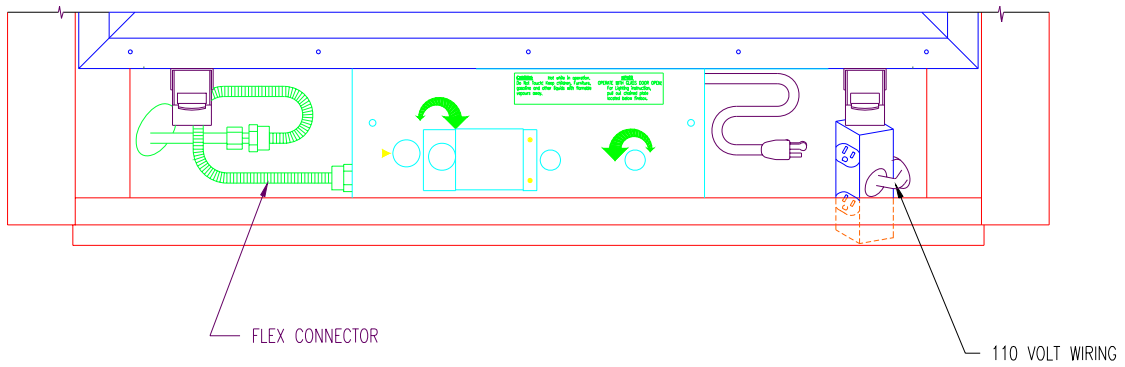
INSTALLATION OF THE UNIT

- Move the ULTRA FLAME to the desired position. Mark the location for the gas inlet pipe and the location where the vent pipes will go through the wall. Remove the appliance.
- Route a 3/8" minimum NPT iron pipe gas line to the desired location.
- Install a shutoff valve to the gas line. Tighten securely using a pipe joint compound.

NOTE: *The valve includes two 1/4" tappings for test gauge connection. You may need, however, to install a 1/8" plugged tapping between the gas line and the connection point to the fireplace, if it is required by local codes.*

- Move the ULTRA FLAME to the desired position and secure in place.
- Connect gas line to the fireplace using listed connectors.

ULTRA FLAME DV “0” Clearance Fireplace

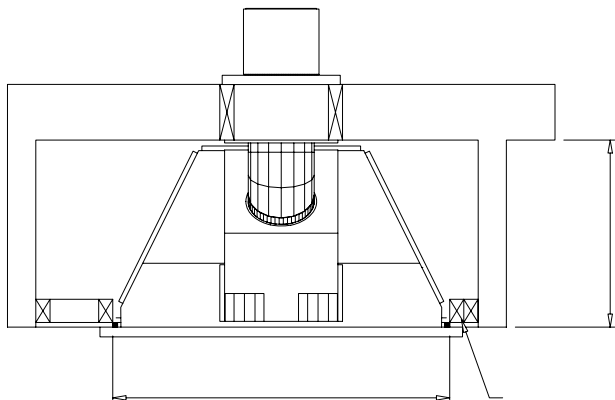


- Check the gas line piping for leaks. Use a soap and water solution.

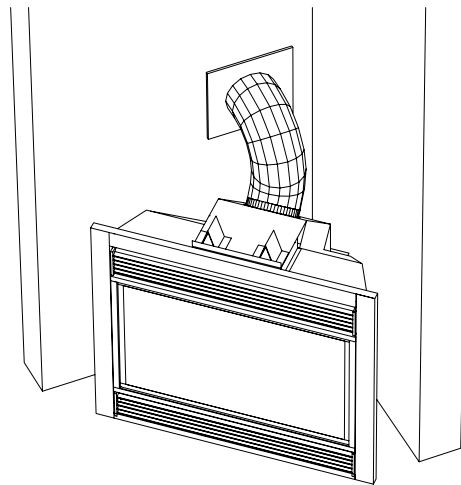
WARNING: DO NOT USE OPEN FLAME TO CHECK LEAKS.

You are now ready to proceed to the venting kit installation.

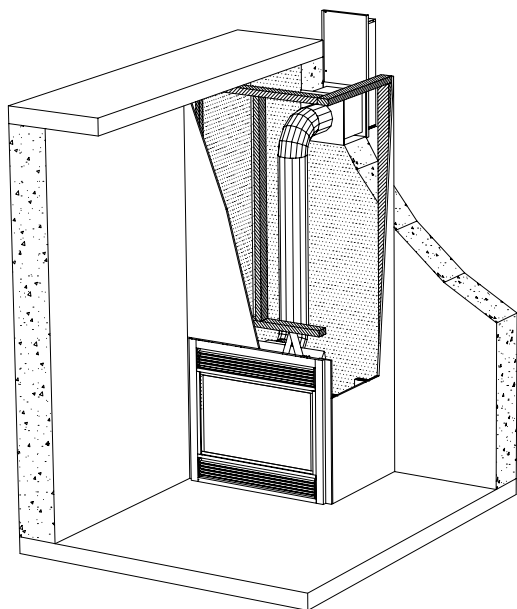
VENTING KITS



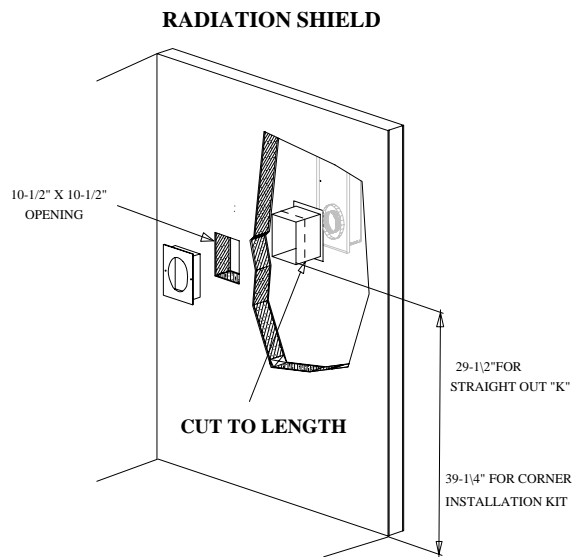
STRAIGH OUT



CORNER



BASEMENT



THROUGH THE WALL DETAIL

Once the position of the fireplace and the termination cap are fixed, you should select the venting kit appropriate for your needs. First floor installations require either a STRAIGHT OUT kit or a CORNER kit while basement installations must be done with a BASEMENT kit. Please note that the BASEMENT kit can also be used on first (or higher) floors and it is possible to use up to 25' of pipe with a distant installation.

1) STRAIGHT OUT INSTALLATION

- Make a 10-1/2" x 10-1/2" opening in the wall, 29-1/2" inches above the base of the fireplace.
- Cut the radiation shield to length if necessary and install as shown. Secure with four #10 1" wood screws.
- Install the vent pipe starting from the fireplace and working your way out.

NOTE: All joints must be sealed with RTV silicone, 315 °C. (600 °F) temperature resistance.

- Attach the 4" flexible pipe on the fireplace with a locking band and cut to leave a 2-1/2" projection over the exterior wall.
- Slip on the 45°x8" elbow facing toward your wall hole. Seal it with silicone and secure with screws.
- Add a spring spacer. The spring spacer must be located opposite the outside pipe joints to prevent puncturing of the inside pipe when the two sections of the outside pipe are screwed together.
- Cut the 8" diameter pipe to be flush with outside face of the exterior wall and attach it to the 45° elbow through the radiation shield.
- Secure the 8" elbow with screws and seal the pipe joints with silicone.
- Cover the 8" diameter pipe with the insulation blanket and seal joint with aluminum tape.
- Installation inside the house is now complete. The next step is to install the vent termination cap according to the instructions in the next section.

2) CORNER INSTALLATION

- Make a 10-1/2" x 10-1/2" opening in the wall, 39-1/4" inches above the base of the fireplace.
- Cut the radiation shield to length if necessary and install as shown. Secure with four #10 1" wood screws.
- Install the vent pipe starting from the fireplace and working your way out.

NOTE: All joints must be sealed with RTV silicone, 315 °C. (600 °F) temperature resistance.

- Attach the 4" flexible pipe on the fireplace with a locking band and seal with silicone cut to leave a 2-1/2" projection over the exterior wall.
- Slip on the 45° x 8" elbow facing upward. Seal it with silicone and secure with screws.

- Add a spring spacer. The spring spacer must be located opposite the outside pipe joints to prevent puncturing of the inside pipe when the two sections of the outside pipe are screwed together.
- Slip on the 90° x 8" elbow so that it faces your hole in the wall. Seal it with silicone and secure with screws.
- Add a spring spacer.
- Add sections of 8" diameter pipe and cut it to be flush with the outside face of the exterior wall, and install them to the 90° elbow, through the radiation shield.
- Secure the 8" diameter pipe with screws and seal joints with silicone.
- Cover the 8" diameter pipe with the insulation blanket and seal joint with aluminum tape.
- Installation inside the house is now complete. The next step is to install the vent termination cap according to the instructions in the next section.

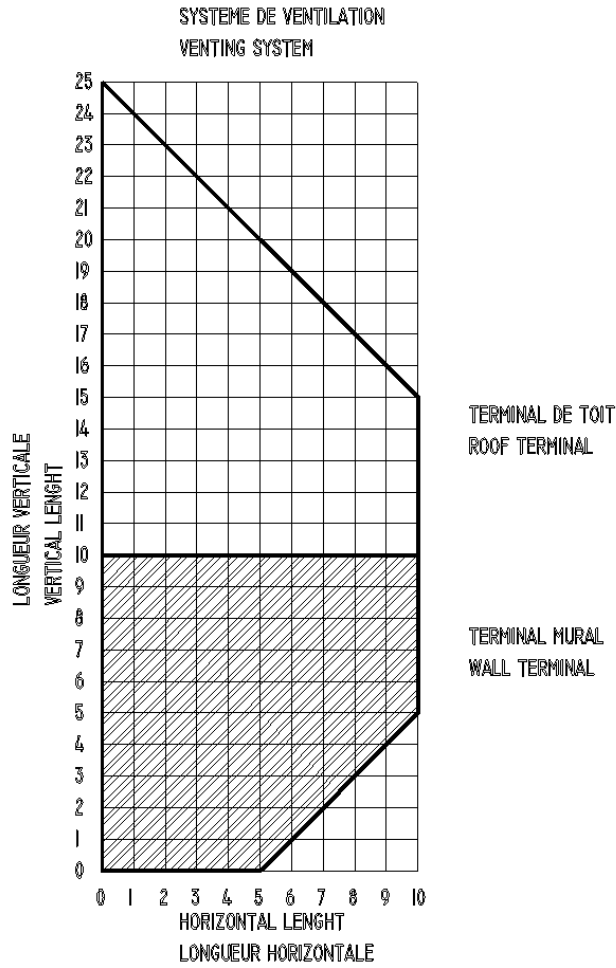
3) BASEMENT INSTALLATION

- Make a 10-1/2" x 10-1/2" opening in the wall at the desired location for the exterior wall.
- Cut the radiation shield to length if necessary and install as shown. Secure with four #10 1" wood screws.
- Install the vent pipe starting from the fireplace and working your way out.

NOTE: All joints must be sealed with RTV silicone, 315 °C. (600 °F) temperature resistance.

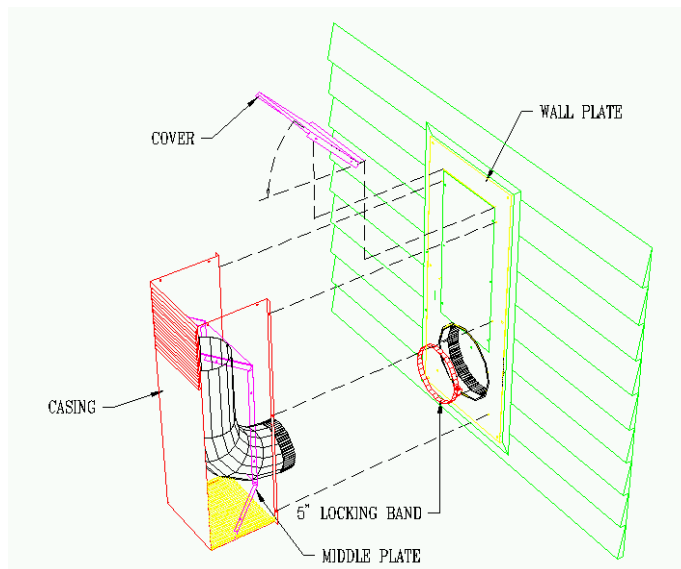
- Attach the 4" flexible pipe on the fireplace with a locking band and seal with silicone. Cut to leave a 2-1/2" projection over the exterior wall.
- Slip on the 45° elbow facing upward. Seal it with silicone and secure with screws.
- Add a spring spacer. Spring spacers must be located opposite the outside pipes joints to prevent puncturing of the inside pipe when the two sections of the outside pipe are screwed together.
- Add 8" diameter pipe sections, including the spring spacers, to attain the desired height. Secure with screws and seal with silicone and aluminum tape.
- Slip on the 90° elbow and horizontally, the last section of 8" pipe. The pipe has to be cut to be flush with the outside face of the exterior wall. Then, install it through the radiation shield.
- Secure the 8" diameter pipes with screws and seal joints with silicone.
- Cover the 8" diameter pipe with the insulation blanket and seal joint with aluminum tape.
- Installation inside the house is now complete. The next step is to install the vent termination cap according to the instructions in the next section.

VENTING SYSTEM



VENT TERMINAL, STRAIGHT OUT AND CORNER INSTALLATION

Seal with RTV silicone between 8" diameter pipe and radiation shield inside and outside the building to prevent air passage. Install the vent terminal as shown. Insert the wall plate inside the 8" pipe and screw it to the wall using the six #10 2-1/2" wood screws supplied. Place the 5" locking band around the inner connector and insert the exhaust pipe. Seal the joint with RTV silicone. Secure the pipe in place with one #10 1/2" metal screw. Install the casing and secure with metal screws provided. Install the cover by inserting the tab in the slot on the wall plate and secure with metal screws.



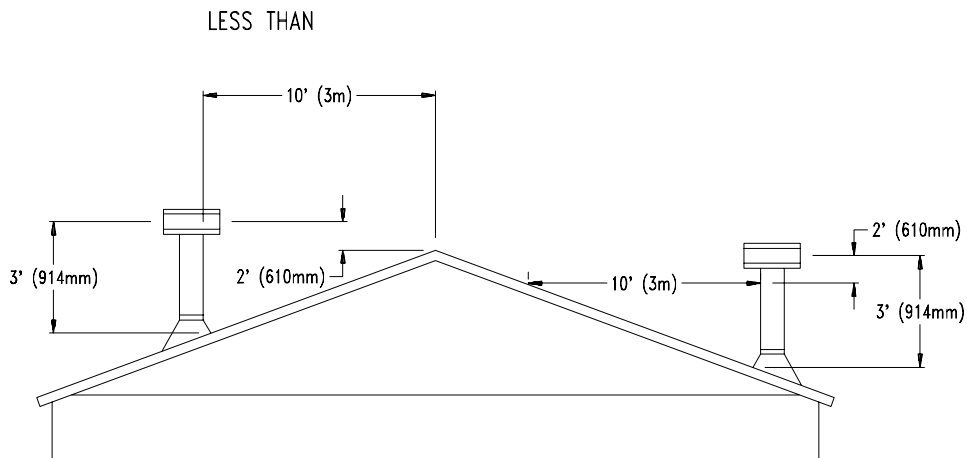
Seal around the terminal to prevent any water from leaking into the house. Seal both ends of the slot where the cover was inserted in wall plate with RTV silicone.

VENT TERMINAL, BASEMENT INSTALLATION

- Seal with RTV silicone between 8" diameter pipe and radiation shield inside and outside the building to prevent air infiltration.
- Attach the 4" flexible pipe with the locking band and with RTV silicone.
- Attach the wall plate with 4 wood screws # 10 x 2-1/2" (supplied).
- Seal around the terminal to prevent water leakage into the house.

VENT TERMINAL, ROOF INSTALLATION

Roof vents are required to extend at least 3 ft. above the highest point where they pass through the roof of the building and at least 2 ft. higher than any portion within 10 feet.



- Clearance between combustible wall and vent pipe must be 2" and a radiation shield must be used through the insulated wall.
- If the vent terminal is more than 5 feet above the roof, use roof braces to secure the whole assembly.

OPTIONAL BLOWER INSTALLATION

See the instruction sheet included with the optional blower before proceeding with its installation.

GLASS FRONT REMOVAL, CLEANING AND INSTALLATION

Removal :

- Let the fireplace cool down for at least one hour.
- Open top and bottom louvres exposing the front retaining clamps
- Open the four clamps (bottom 2 first)
- Remove the glass front assembly.

CAUTION : Do not operate your fireplace without a glass front or with a broken glass.

Cleaning :

- Only clean the glass when cold.
- Clean with liquid type cleaners or soap and water; do not use abrasive cleaners, which can scratch the glass.

Installation :

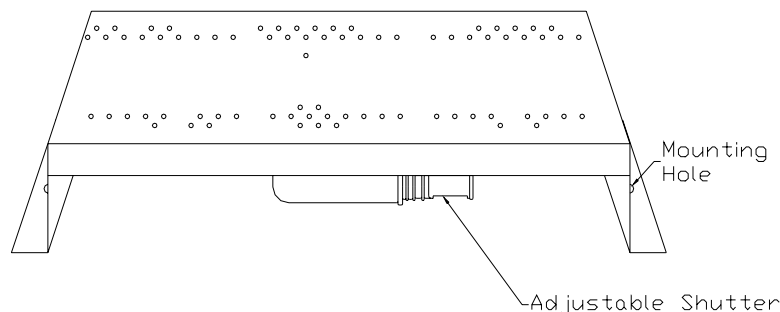
- Put the glass front assembly back in position.
- Insert the hooks of all four clamps into the glass front.
- Tighten both top clamps simultaneously.
- Tighten both bottom clamps simultaneously.
- Close the louvres.

BURNER REMOVAL AND INSTALLATION

REMOVAL :

- Remove the glass front assembly.
- Lift out the grate and hearth insert around burner.
- Unscrew the retaining screws on each side of the burner.
- Slide burner to the left and lift out.

INSTALLATION :



Put the burner assembly back in the fire box and push to the right. Make sure the main orifice is inserted in the venturi tube as shown.

WARNING: NEVER OPERATE THE GAS FIREPLACE WITHOUT HAVING THE ORIFICE PROPERLY INSERTED IN THE VENTURI TUBE. THIS COULD RESULT IN SERIOUS DAMAGE TO THE GAS INSERT AND IS A SERIOUS RISK OF FIRE .

NOTE : For an optimal performance the air shutter opening should be 1/8” opening for natural gas and 1/4” to 5/16” for propane.

EMBER KIT INSTALLATION

Three small plastic bags are supplied with your unit. One of the bags contains vermiculite to simulate ashes in the fire box, another contains lava rock to simulate coals and the last one is filled with rock wool fiber which, when glowing red, resembles hot embers.

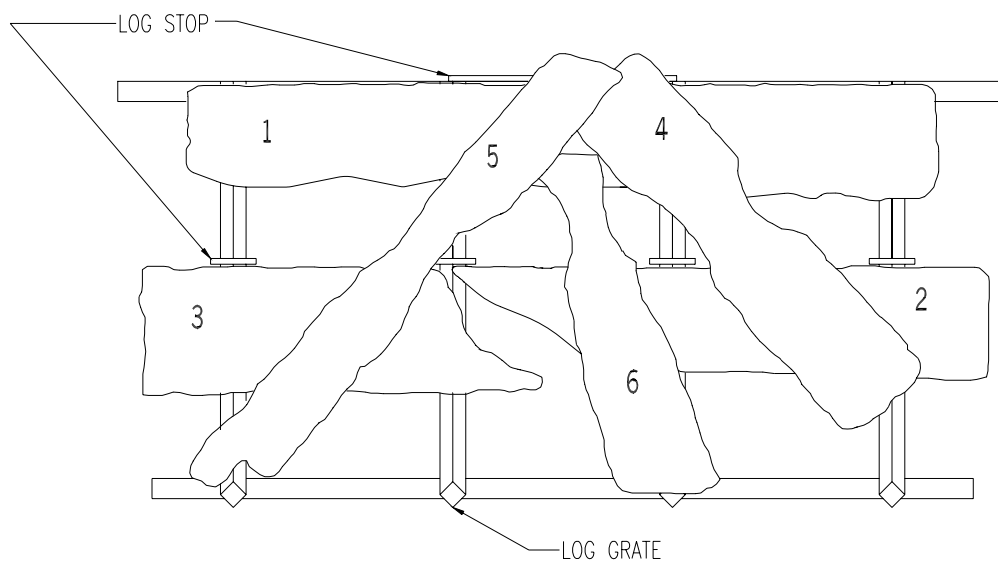
1. Remove log grate from the fireplace.
2. Place some vermiculite and some lava rocks on the burner and in front of the burner. Never put too much of these materials near the burner holes. The gas must pass through the burner easily.

CAUTION : *Blocking gas ports with vermiculite or lava rock will result in poor light-up performance and delayed ignition.*

3. Place five or six pieces of rock wool fiber approximately 1" large on top of the front gas ports. Place two or three pieces over each of the back gas ports. Make sure not to put too many pieces as this could result in an altered flame pattern and possible carbon deposition.

LOG INSTALLATION

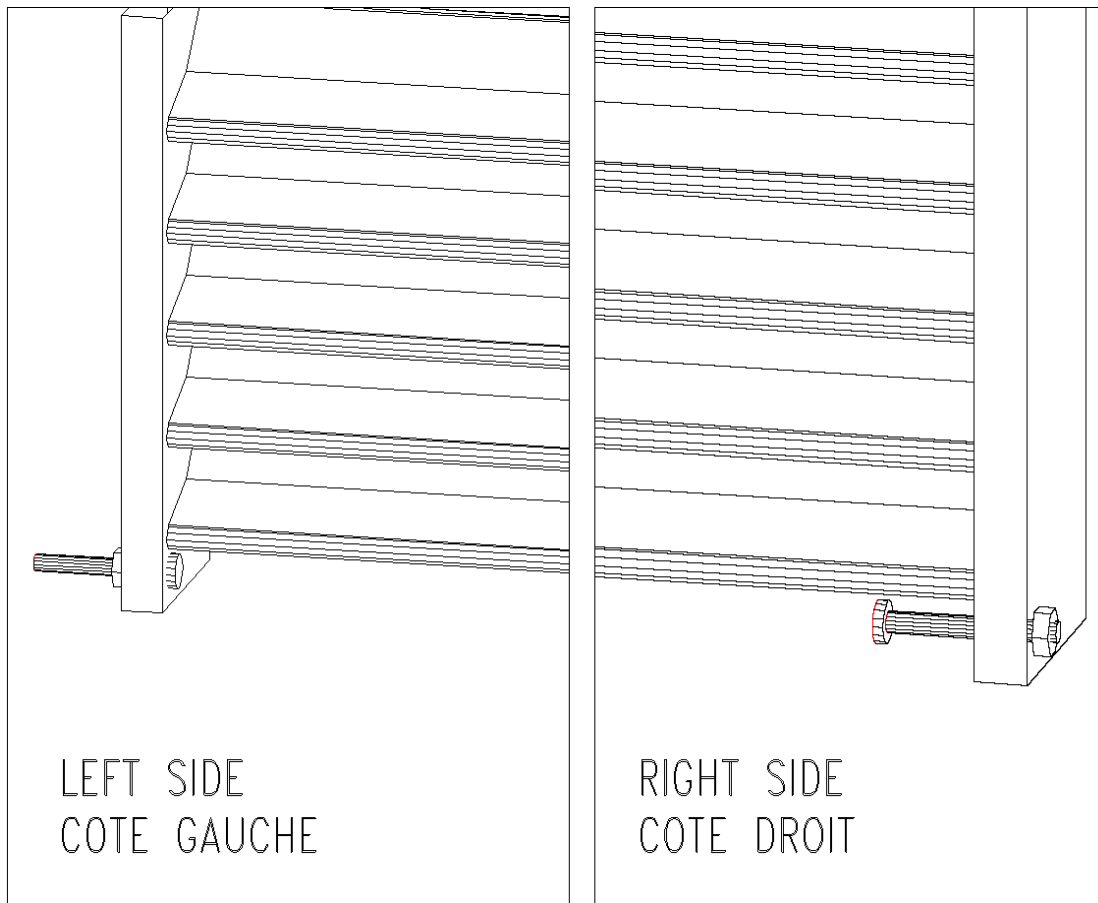
1. Remove the glass front.
2. Locate the log grate in the retainers in the right and left rear corners.
3. Place the rear log (1) against the rear log stop. Make sure grooves under the log line up with the grate.
4. Place logs 2 and 3 against the stops in the middle of the grate. Again see that grooves in the bottom of the logs line up with the grate.
5. Place log 4 into the grooves over the right as shown.
6. Log 5 sits over log 4 at the back and on the grate in front.
7. Log 6 sits between log 4 and 5 as shown.
8. Put the glass front assembly back in place.



LOUVRE INSTALLATION

The kit includes 2 louvres (black or gold) and four #8 x 1 inch machine screws and nuts.

- 1) Put 1 machine screw on left side of the louvre, as shown on drawing
- 2) Put the other screw on right side holding it tight with the nut.
- 3) Insert the left screw into the fireplace frame.
- 4) Align the right screw to the other frame hole and screw on.
- 5) Hook the two supports to the 1/4 inch diameter machine screws which are already inside the fireplace frame.



OPTIONAL REFRACTORY PANEL INSTALLATION

1. Remove the glass front assembly.
2. Remove the logs from the firebox.
3. Place the back refractory against the back of the firebox.
4. Install the two side refractory panels by sliding them between the firebox sides and the baffle plate.
5. Put the logs back in place.
6. Install the glass front assembly.

ADJUSTMENTS

NOTE: *Adjustments to the valve assembly must be performed by a qualified service person.*

- The appliance and its individual shutoff valve must be disconnected from the gas supply piping system during any pressure testing of that system at test pressures in excess of ½ psi (3.5 kPa).
- The appliance must be isolated from the gas supply piping system by closing its individual manual shutoff valve during any pressure testing of the gas supply piping system at test pressures equal to or less than ½ psi (3.5 kPa).

Natural Gas Pressure Settings:

The inlet supply or line pressure must be a minimum of 5” WC and a maximum of 8” WC. The orifice has a #36 hole.

<u>ELEVATION</u>	<u>INPUT RATING</u>
0 - 2000 ft.	30,000 BTU/hr
2000 - 4500 ft.	30,000 BTU/hr
4500 ft. +	30,000 BTU/hr less 4% per 1000 ft. or reduce manifold pressure by 0.25” per 1000 ft.

Propane Pressure Settings:

The inlet supply or line pressure must be a minimum of 10.5” WC and a maximum of 12” WC. The orifice has a #52 hole.

<u>ELEVATION</u>	<u>INPUT RATING</u>
0-2000 ft.	26,000 BTU/hr
2000 - 4500 ft.	26,000 BTU/hr
4500 ft. +	26,000 less 4% per 1000 ft. or reduce manifold pressure by 1” per 1000 ft.

NOTE: *THE INPUT RATING SHOULD ALWAYS BE CHECKED WHEN FIRST RUNNING THIS APPLIANCE. To do this, reduce the background flow rate, time the meter, light the fireplace and take another reading. Check with your gas supplier for the gas BTU content at your elevation. Input is the rate of flow multiplied by the heating value of the gas (cubic feet/hour x BTU per cubic feet). Adjust the manifold pressure so that the unit does not operate above the rated input.*

ADJUSTING THE GAS PRESSURE

NOTE: If cover plate is already installed, remove it by removing the two screws with a Phillips screw driver.

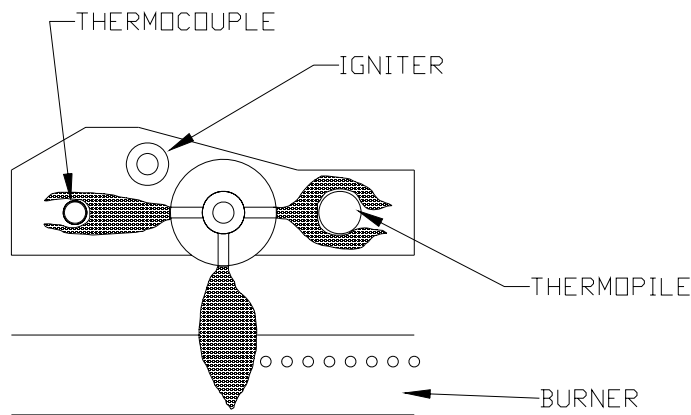
NOTE: The maximum manifold pressure is set at the factory at 3.5” WC for natural gas and 10.5” WC for propane. To adjust the maximum manifold pressure for altitude, you must remove the manifold pressure adjustment cover. The variable gas control knob must then be removed using a special screwdriver. Rotate and reinstall the knob so that the maximum pressure reading is correct.

Locate the two pressure test taps. Check line pressure or manifold pressure by loosening the small screw inside the tap with a flat-head screwdriver about one turn. Connect pressure gauge using a ¼” I. D. rubber hose.

Ensure the line pressure falls within the allowable limits and adjust the manifold pressure according to the elevation table.

The pilot should have a strong blue flame which engulfs the thermopile and the thermocouple. If there is any yellow in the pilot flame tips, the gas flow must be reduced by adjusting the pilot pressure adjustment screw.

PILOT ASSEMBLY:



Remember to replace all covers !!!!

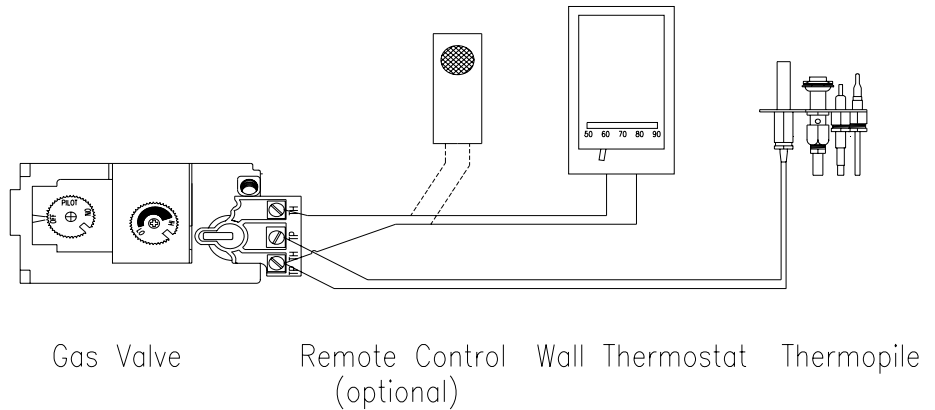
ADJUSTING AIR SHUTTER

To adjust the air shutter there is an adjustment screw. The factory setting for the air shutter is 3/16” for natural gas, 1/4” for propane. After operating the appliance for half an hour or so the flames should have turned a nice yellow colour. However, in higher altitudes you may find a smudging up of the glass after a few days. The shutter should then be adjusted open in 1/16” increments until the glass stays clear. If the flame does not turn yellow the air shutter should be closed until the flame just turns yellow. To access the shutter you need to remove the glass front, the logs and grate. Lift out the hearth surrounding the burner and the shutter will be exposed underneath.

WALL THERMOSTAT

The optional wall thermostat will automatically keep your room at an even temperature. You need to choose a convenient location for the thermostat. Remember that it should be at least 10 feet from the fireplace and away from direct radiation of the fire. Run the correct gauge wire (see table) from the valve to the thermostat and wire as shown in the diagram.

Maximum length of thermostat wire	
18 Ga	20 ft
16 Ga	30 ft
14 Ga	50 ft
12 Ga	75 ft



OPTIONAL PARTS

ITEM DESCRIPTION	QTY
2" wide brass surround	1
5" wide brass surround	1
Brass arched door	1
200 CFM fan with thermo-switch and variable speed control	1
Decorative refractory kit	1
Surround with brass grills	1
Millivolt wall thermostat	1

REPLACEMENT PARTS

ITEM DESCRIPTION	QTY
6 Log kit	1
Burner assembly	1
Burner orifice (natural gas or propane)	1
Pilot assembly (natural gas or propane)	1
Thermopile	1
Piezo igniter	1
Gas valve (natural gas or propane) Nova 820	1
Glass	1
Variable speed control	1
Blower	1
Thermo-switch	1
Burst disc kit	1
Thermocouple	1
Interrupter block	1

LIMITED 5 YEAR WARRANTY

DROLET STOVES AND FIREPLACES INC. hereby warrants the quality of its ULTRA FLAME Direct Vent Gas Fireplace against manufacturing defects. The product shall be delivered to the buyer in good condition and the latter should inform the vendor immediately of any defect in the product delivered.

During the first year of the limited warranty, DROLET STOVES AND FIREPLACES INC. will provide free replacement parts for the gas fireplace except for the glass assembly. DROLET STOVES AND FIREPLACES INC. will cover labour-related costs deemed reasonable by the company. All other costs related to dismantling the structure, decoration, venting system, etc. are the responsibility of the gas fireplace owner.

During the second to the fifth year of the limited warranty, DROLET STOVES AND FIREPLACES INC. will replace defective parts free of charge except the VALVE, IGNITION CONTROL, BURNER ASSEMBLY, LOGS, GLASS ASSEMBLY, REFRACTORY, BLOWER and BLOWER CONTROL. DROLET STOVES AND FIREPLACES INC. will not compensate for labour costs related to parts replacement.

The warranty is conditional upon proper installation in accordance with the manufacturer's instructions.

All repairs must be approved by an official representative of the company before being undertaken.

The delivery costs of all replacement parts provided by DROLET STOVES AND FIREPLACES INC. are the responsibility of the client.

This warranty may not be transferred to a second person and becomes effective on the date the product is purchased.

The warranty may not be extended in any way by our representatives, dealers or any other intervening party.

No other claim of any nature whatsoever shall be considered by the vendor or manufacturer.

DROLET STOVES AND FIREPLACES INC.

1700 Leon-Harmel
Quebec, QC G1N 4R9
Canada