

ULTRA FLAME

DIRECT VENT GAS STOVE

INSTALLATION AND OPERATING INSTRUCTIONS

FOR YOUR SAFETY

DO NOT STORE OR USE GASOLINE OR OTHER FLAMMABLE VAPOURS AND LIQUIDS IN THE VICINITY OF THIS OR ANY OTHER APPLIANCE

FOR YOUR SAFETY

IF YOU SMELL GAS:

1. OPEN WINDOWS
2. TURN OFF MAIN GAS SUPPLY
3. DON'T TOUCH ELECTRICAL SWITCHES
4. EXTINGUISH ANY OPEN FLAME
5. IMMEDIATELY CALL YOUR GAS SUPPLIER

Manufactured by :

DROLET STOVES & FIREPLACES INC.
1700 Leon Harmel
Quebec, Qc (Canada)
G1N 4R9

Tested by :



Rev 07/96 45046A

TABLE OF CONTENTS :

TABLE OF CONTENTS :	2
GENERAL INFORMATION :	3
WARNING	4
SPECIFICATIONS :	5
TOP, FRONT AND SIDE VIEWS :	6
INSTALLATION:	
SAFETY NOTICE :	7
POSITIONING THE STOVE :	7
VENT TERMINAL LOCATION :	7-8-9
CLEARANCES :	10
INSTALLATION OF THE UNIT :	10-11
VENTING KITS :	
STRAIGHT OUT INSTALLATION	12
CORNER INSTALLATION:.....	12-13
BASEMENT INSTALLATION:	13
DISTANT INSTALLATION :.....	15
VENTING SYSTEM :	16
VENT TERMINAL STRAIGHT OUT AND CORNER INSTALLATION:.....	16-17
VENT TERMINAL, BASEMENT INSTALLATION:	17
VENT TERMINAL, ROOF INSTALLATION :	18
INSTALLATION OF SIDE PANELS AND PEDESTAL	18-19
GLASS FRONT REMOVAL, CLEANING AND INSTALLATION:	20
BURNER REMOVAL AND INSTALLATION	20
LOG INSTALLATION :	22
EMBER KIT INSTALLATION :	23
REFRACTORY PANELS INSTALLATION:	24
GOLD TRIM INSTALLATION:.....	24
OPERATING INSTRUCTIONS:	25-26
MAINTENANCE INSTRUCTIONS.....	27
OPTIONAL PARTS:	28
REPLACEMENT PARTS	28
LIMITED 5-YEAR WARRANTY	29

GENERAL INFORMATION :

The **ULTRA FLAME DIRECT VENT GAS STOVE** is a high-efficiency free-standing gas appliance with a maximum input rating of 30 000 Btu/h with natural gas or 26,000 Btu/h with propane. It features a thermostatic modulating valve and a constant pilot. This means that the flame will vary in height according to room temperature. The colder the ambient temperature the larger the flames. The valve is also independent of any exterior electrical supply. Your appliance will therefore continue to heat your house in the event of a power failure.

For increased efficiency, we have included a 140 CFM blower with speed control and thermo-switch. Your fan will therefore turn itself on or off automatically, if you desire.

Read these instructions and consult your local building authorities before installing this appliance. Install the unit and its venting system only as described in these instructions.

KEEP THESE INSTRUCTIONS FOR FUTURE REFERENCE

This gas stove has been tested by WARNOCK HERSEY according to the CAN-CGA-2.22M82_INTERIM #41 and engineering bulletin #68 for Canada and ANSI Z21,50, 50A, 50B for USA.

It is mobile home approved.

The unit can be installed in a range of altitude from 0 to 4 500 ft (0-1 370 m).

This appliance must be connected to a venting system.

Use only with Drolet direct vent kit, supplied by manufacturer.

WARNING

INSTALLATION SHOULD BE DONE BY A QUALIFIED INSTALLER.

DO NOT BURN WOOD OR ANY OTHER MATERIAL IN THIS APPLIANCE.

HOT WHEN IN OPERATION. KEEP CHILDREN, FURNITURE, CLOTHING AND FLAMMABLE MATERIAL AWAY FROM THE APPLIANCE.

ADVISE ADULTS AND CHILDREN TO THE HAZARD OF HIGH SURFACE TEMPERATURES AND THAT THEY SHOULD STAY AWAY TO AVOID BURNS OR CLOTHING IGNITION.

YOUNG CHILDREN SHOULD BE SUPERVISED WHEN THEY ARE IN THE SAME ROOM AS THE APPLIANCE.

THE APPLIANCE SHOULD BE INSPECTED BEFORE USE AND AT LEAST ANNUALLY BY A QUALIFIED SERVICE PERSON. MORE FREQUENT CLEANING MAY BE REQUIRED DUE TO EXCESSIVE LINT FROM CARPETING, BEDDING MATERIAL, ETC.

IT IS IMPERATIVE THAT THE CONTROL COMPARTMENTS, BURNERS AND CIRCULATING AIR PASSAGEWAYS BE KEPT CLEAN.

DO NOT MODIFY THIS APPLIANCE.

THE OPENINGS IN THE GAS STOVE PEDESTAL SHOULD NEVER BE BLOCKED.

PROVIDE ADEQUATE ACCESSIBILITY CLEARANCES FOR SERVICING AND PROPER OPERATION.

SPECIFICATIONS :

Dimensions :

height : 29-3/16"
width : 26-5/16"
depth : 19-5/8"

Glass : front 18-3/16" x 15-31/32" 1400°F clear ceramic
sides 5-1/16" x 15-31/32" 1400°F clear ceramic

<u>Fuel :</u>	<u>Natural Gas</u>	<u>Propane</u>	
Input :	30 000	26 000	Btu/h
Manifold pressure :	3.5	10	in w.c.
Min inlet pressure :	5	11	in w.c.
Max. inlet pressure :	7	14	in w.c.

Vent size : 5" inner 8" outer coaxial vent pipes for straight out and corner kits installation.
4" inner 8" outer coaxial vent pipes for basement or distant kit installation

Valve : SIT
Model EUROSIT 630
Thermostatic modulating

Blower : Variable speed, 140 CFM
Thermo-switch : 120°F "ON", 90°F "OFF" bi-metal type,
Pressure relief device: Burst disc
Efficiency : 75 % heating

Maximum length of venting pipe allowed:

Straight out installation: - Vertical rise: 0'
- Max horizontal length: 5'
- Max combination of both: 5'

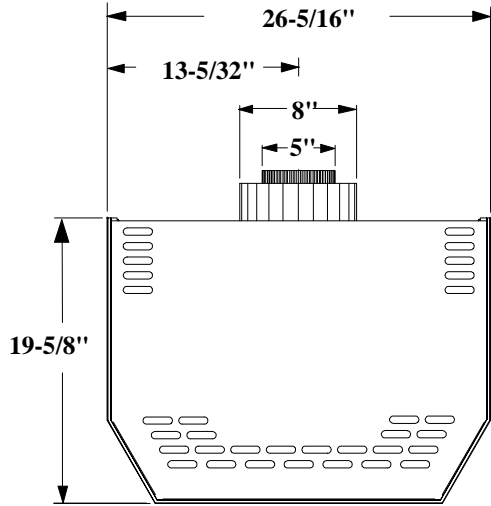
Corner installation: - Vertical rise: 0'
- Max horizontal length: 5'
- Max combination of both: 5'

Basement or distant kit installation: - Max vertical rise: 25'
- Max horizontal length: 10'
- Max combination of both: 25'

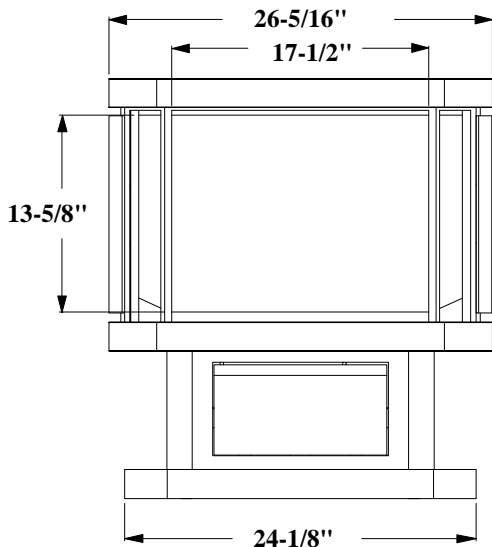
* Maximum number of elbows 90° or 45°: 3

TOP, FRONT AND SIDE VIEWS :

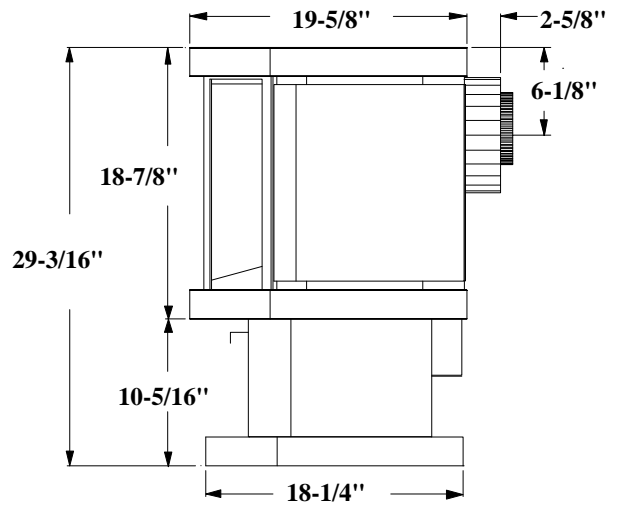
INSTALLATION:



Top view



Front view



Side view

INSTALLATION

SAFETY NOTICE :

Improper installation may result in a house fire. Follow installation directions. Installation must be in accordance with local building codes and with current CAN/CGA B149.1 & B149.2 installation codes for gas appliances.

INSTALLATION SHOULD BE DONE BY A QUALIFIED INSTALLER.
THIS GAS FIREPLACE MUST BE VENTED OUTSIDE.

The gas stove must be electrically grounded in accordance with the current CSA C22.1 Canadian Electrical Code.

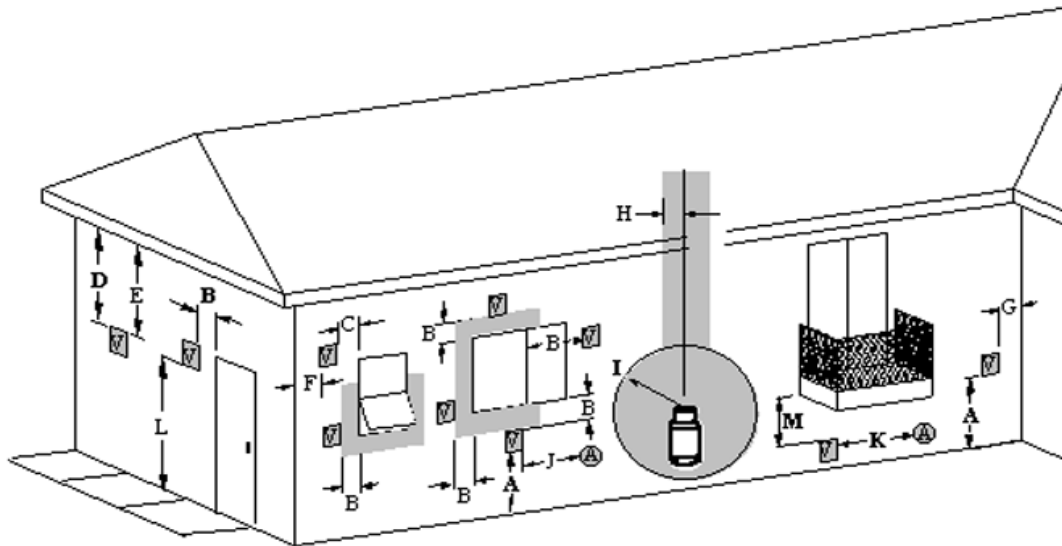
POSITIONING THE STOVE :

Always locate the stove as near as possible to an outside wall to keep vent length to a minimum. Provide adequate accessibility clearances for servicing and proper operation. Never install the stove in a hallway or near a staircase since it may block the way in case of a fire.

VENT TERMINAL LOCATION :

Your Ultra Flame stove vents through a vent terminal installed on the roof or on the outside of any exterior wall of your house. Many restrictions apply to the vent terminal location that should be considered before locating your stove.

The following drawing presents a summary of most of these restrictions.



▽ VENT TERMINAL
 SORTIE DU TUYAU
 D'EVACUATION

▲ AIR SUPPLY INLET
 ENTREE D'AIR FRAIS

AREA WHERE TERMINAL IS NOT PERMITTED
 ZONE OU LA SORTIE N'EST PAS PERMISE

- A = 12" Clearance above grade, veranda, porch, deck or balcony
- B = 12" Clearance to window or door that may be opened
- C = 12" Clearance to permanently closed window
- D = 18" Vertical clearance to ventilated soffit located above the terminal within a horizontal distance of 2 feet (60 cm) from the centre-line of terminal (straight out or corner installation)
- D = 24" (Basement or distant installation)
- E = 12" Clearance to unventilated soffit (straight out or corner installation)
- E = 24" (Basement or distant installation)
- F = 12" Clearance to outside corner
- G = 12" Clearance to inside corner
- H = Not to be installed above a meter/regulator assembly within 3 feet (90 cm) horizontally from the centre-line of the regulator *
- I = 72" Clearance to service regulator vent outlet
- J = 12" Clearance to non-mechanical air supply inlet to building or the combustion air inlet to any other appliance
- K = 72" Clearance to a mechanical air supply inlet
- L = 84" Ⓞ Clearance above paved sidewalk or a paved driveway located on public property
- M = 36" Ⓣ Clearance under veranda, porch, deck, or balcony

- ① **A vent shall not terminate directly above a sidewalk or paved driveway which is located between two single family dwellings and serves both dwellings ***
- ② **Only permitted if veranda, porch, deck, or balcony is fully open on a minimum of 2 sides beneath the floor ***
- * **As specified in CGA B149 Installation Codes (1991)**

NOTE: Local codes or Regulations may require different clearances

In addition, the following restrictions also apply.

When the vent terminal is accessible, a certified guard shall be installed around the terminal. This guard is available as an option, identified as part #E5480, for straight and corner terminals and #E5482 for the basement terminal.

The vent terminal may not be recessed into the wall or siding.

The vent terminal shall not terminate :

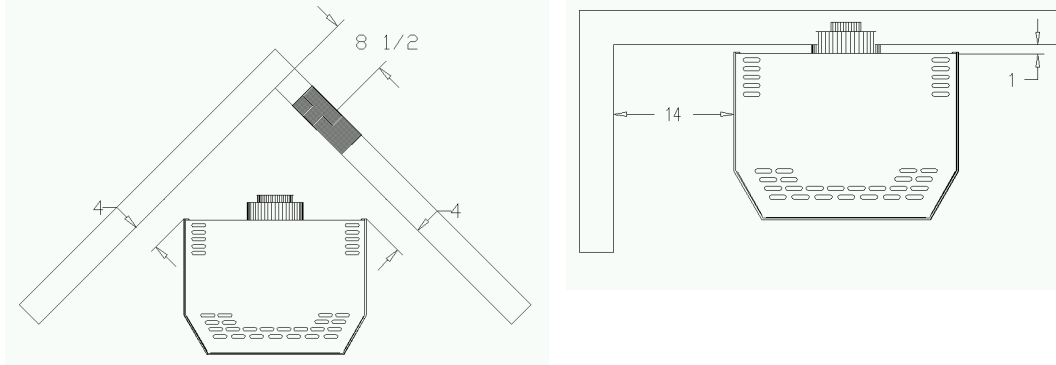
- Within 3 ft. of a building mechanical air supply.
- Less than 12 inches from a perpendicular wall.
- In an area which is allocated to the occupancy.
- Under a window that pivots open.

In addition, in a structure with three walls and a roof , the following restrictions applies :

- a) The minimum distance between the two side walls must be 72".
- b) The roof must not exceed the walls more than 24".
- c) If both those conditions applies, the clearance shall be as follow:
 - 18" to a side wall.
 - 12" to an unventilated soffit, 24" for basement or distant installation.
 - 18" to a ventilated soffit, 24" for basement or distant installation.

CLEARANCES :

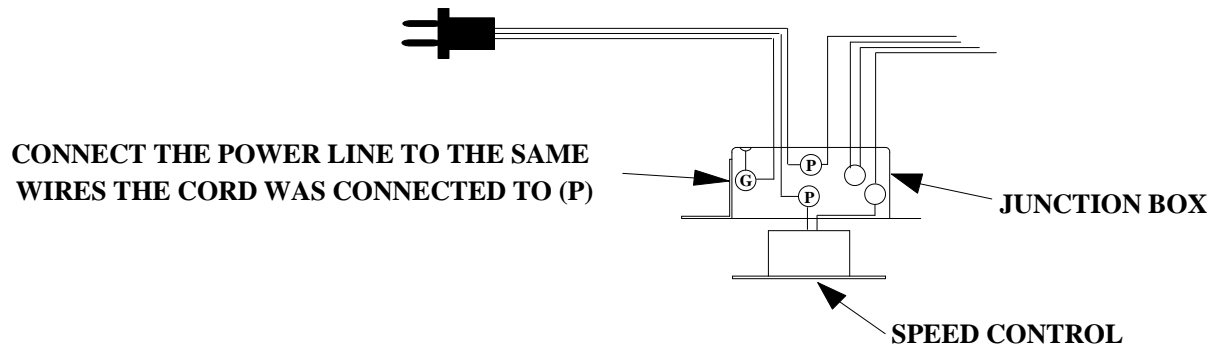
Clearance between the stove and any combustible material must also be respected while installing your appliance. Clearance to the floor is 0".



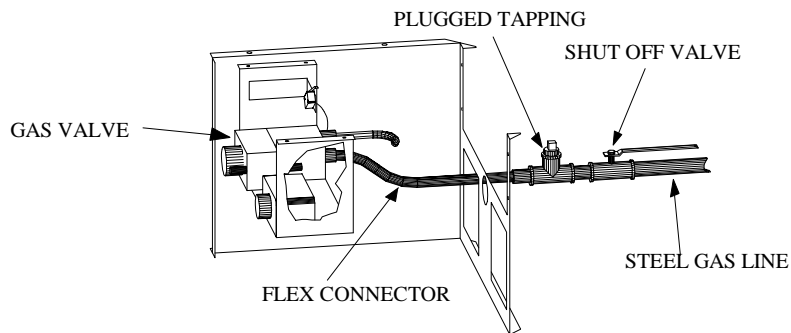
Clearance between wall and the pipe is 1". Do not install pipe in an enclosed area or through an insulated wall without a radiation shield (no E-5710)

INSTALLATION OF THE UNIT

- Move the ULTRA FLAME to the desired position. Mark the location for the gas inlet pipe and the location where the vent pipes will go through the wall. Remove the appliance.
- Route a 3/8" minimum NPT iron pipe gas line to the desired location.
- Install a shutoff valve to the gas line. Tighten securely using a pipe joint compound.
- Install a 1/8" NPT plugged tapping for test gauge connection immediately upstream of the gas supply connection to the appliance.
- If you wish to make a direct electrical connection to the blower without using the six-foot cord supplied, route a 120 volt, 60 Hz electrical power supply line to the same location. Remove the power cord and connect the 120V line as per the following procedure :
 - Unscrew the speed control unit and pull a few inches away from the junction box
 - Unscrew the two marr connectors attached to the cord (P) and the cord ground
 - Remove the cord and route the supply line through the same holes
 - Make the electrical connection with the same wires the cord was attached to
 - Screw the ground wire to the junction box (G)
 - Screw the speed control unit back in place



- If you prefer to use the six-foot cord supplied, just connect it to a 120V outlet.
- Move the ULTRA FLAME to the desired position and secure in place with four screws.
- Connect the gas line to the stainless steel flex connector supplied.



- Check the gas line piping for leaks. Use a soap and water solution.

WARNING : DO NOT USE OPEN FLAME TO CHECK LEAKS.

- You are now ready to proceed to the venting kit installation.

VENTING KITS

Once the position of the stove and the termination cap are fixed, you should select the venting kit appropriate for your needs. First floor installations require either a STRAIGHT OUT kit or a CORNER kit while basement installations must be done with a BASEMENT kit. Please note that the BASEMENT kit can also be used on first (or higher) floors and it is possible to use up to 25' of pipe with a distant installation.

1) STRAIGHT OUT INSTALLATION:

- Make a 10-1/2" x 10-1/2" opening in the wall, 23-1/2" inches above the base of the stove.
- Cut the radiation shield to length, if necessary and install as shown. Secure with four # 10-1 wood screws.
- Install the vent pipe starting from the stove working your way out.

NOTE: All joints must be sealed with RTV silicone, 315°C. (600°F) temperature resistance.

- Fix the 5" rigid pipe on the stove with three tek screws and cut to leave a 2-1/2" projection over the exterior wall.
- Cut the 8" diameter pipe to be flush with outside face of exterior wall and fix it to the stove with three tek screws through the radiation shield.
- Seal the pipe joints with silicone
- The installation inside the house is now completed. The next step is to install the vent termination cap following the instructions in the next section.

2) CORNER INSTALLATION:

- Make a 10-1\2" x 10-1\2" opening in the wall 23-1\2" inches above the base of the stove.
- Cut the radiation shield to length, if necessary, and install as shown. Secure with four (4) #10-1" wood screws.
- Install the vent pipes starting from the stove working your way out.

NOTE: All joints must be sealed with RTV Silicone, 315°C (600°F) temperature resistance.

- Fix the 5" flexible pipe on the stove with locking band and seal with silicone cut to leave a 2-1/2" projection over the exterior wall.
- Slip on the 45° x 8" elbow.

- Add a spring spacer. Spring spacer must be located opposite to the joints of the outside pipe to prevent puncturing of the inside pipe when screwing two sections of the outside pipe together.
- Add sections of 8" diameter pipe and cut it to be flush with the outside face of exterior wall, and install them to the 45° elbow, through the radiation shield.
- Seal the 8" diameter pipes and elbows joints with silicone.
- The installation inside the house is now completed. The next step is to install the vent termination cap following the instructions in the next section.

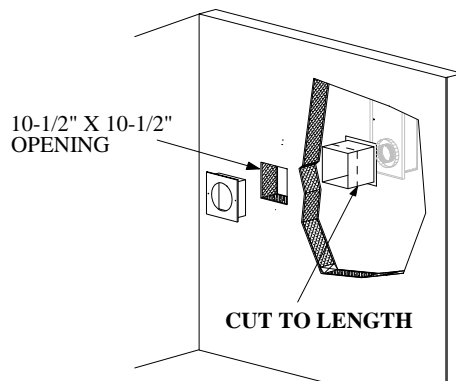
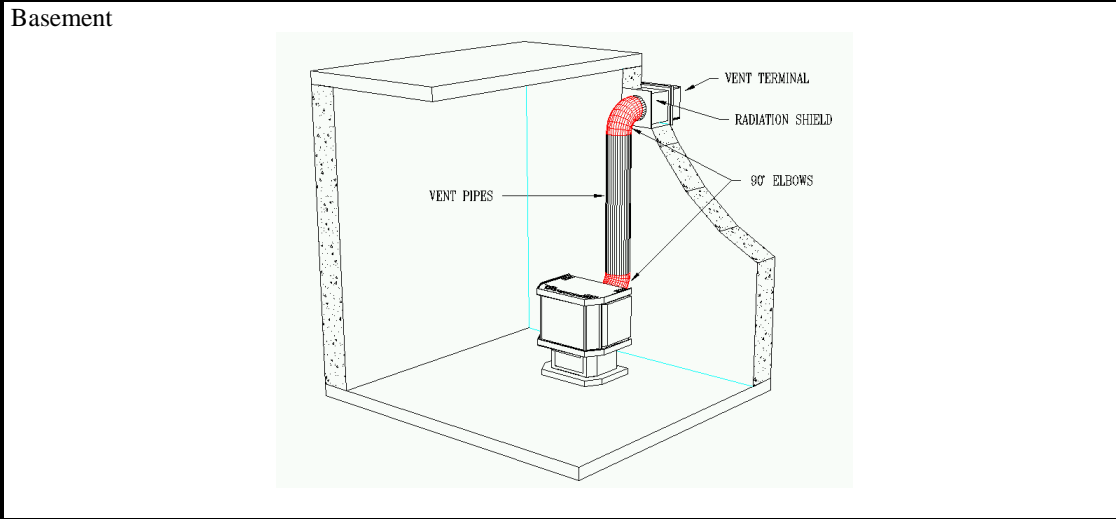
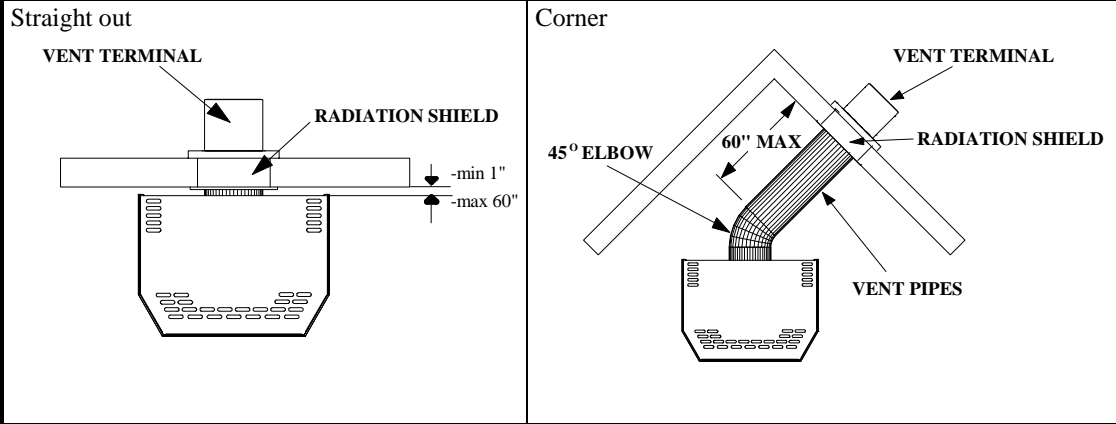
3) BASEMENT INSTALLATION:

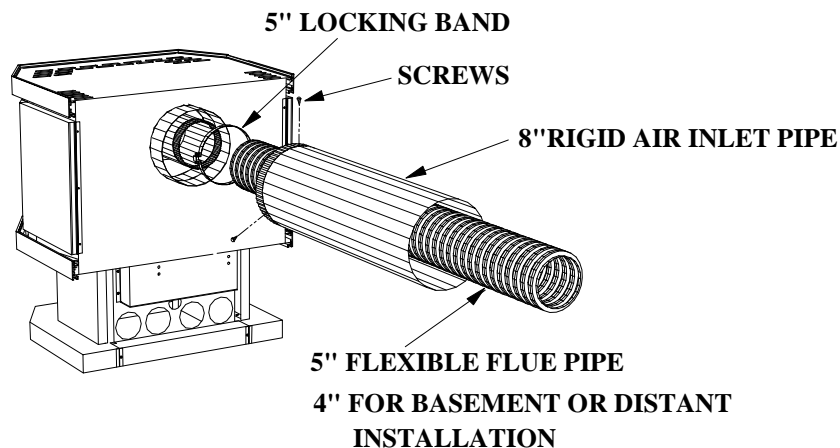
- Make a 10-1/2" x10-1/2" opening in the wall to the desired position in the exterior wall.
- Cut the radiation shield to length, if necessary, and install as shown. Secure with four (4) #10-1" wood screws.
- Install the vent pipes starting from the stove working your way out.

NOTE: All joints must be sealed with RTV silicone, 315°C (600°F) temperature resistance.

- Fix the reducer 5" to 4" with screws and seal with silicone.
- Fix the 4" flexible pipe to the reducer with locking band and seal with silicone. Cut to leave a 2-1/2" projection over the exterior wall.
- Slip on the 90° elbow facing upward.
- Add a spring spacer. Spring spacers must be located opposite to the joints of the outside pipes to prevent puncturing of the inside pipe when screwing two sections of the outside pipe together.
- Add 8" diameter pipe sections, including the spring spacers, to attain the desired height. Secure with screws.
- Slip on the 90° elbow and horizontally the last section of 8" pipe. The pipe has to be cut to be flush with outside face of exterior wall, then install it through the radiation shield.
- Seal the 8" diameter pipes and elbows joints with silicone.
- The installation inside the house is now completed. The next step is to install the vent termination cap following the instructions in the next section.

VENTING KITS



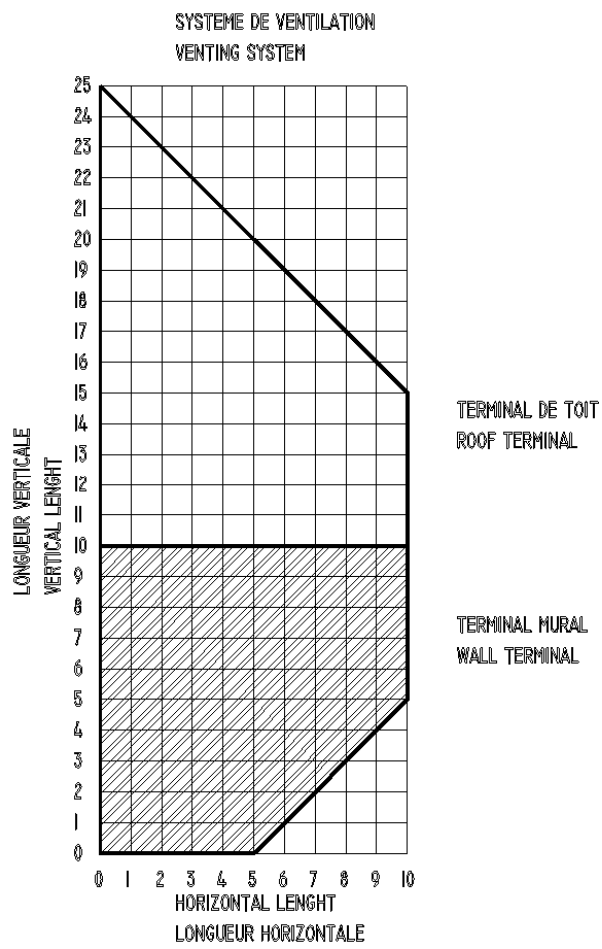


4) DISTANT INSTALLATION

It is possible to use up to 25 feet of pipe and a wall vent terminal or roof vent terminal (no E5700) However, the following restrictions must be applied. (see figure, next page)

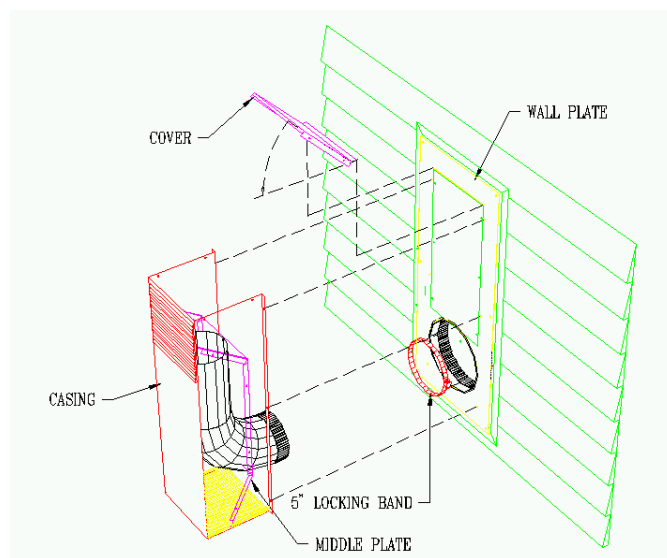
- Maximum vertical length is 10 feet with the **wall vent terminal**.
 - Maximum horizontal length is 10 feet
 - Number of 45° or 90° elbows is three
- For installation proceed in the same manner as the basement installation.
 - The venting distant kit (No E-5705) contain:
 - (15 feet) of 4" diameter, 2 plys flexible pipe
 - (1) 4" diameter union
 - (2) locking bands
 - (15 feet) high temperature insulation
 - (6) spring spacers
 - (24 feet) of aluminium tape
 - (30) metal screws
 - (1) radiation shield
 - The following pieces must be supplied by the installer.
 - Galvanized or black pipe minimum 24 gauges
 - Appropriate roof flashing
 - Roof braces (if required)
 - The clearance between the pipe and the combustible wall must be 2" from the pipe additional radiation shield can be ordered. Part number is E-5710.

VENTING SYSTEM



VENT TERMINAL STRAIGHT OUT AND CORNER INSTALLATION

Seal with RTV silicone between 8" diameter pipe and radiation shield inside and outside the building to prevent air passage. Install the vent terminal as shown. Insert the wall plate inside the 8" pipe and screw it to the wall using the six #10 2-1/2" wood screws supplied. Place the 5" locking band around the inner connector and insert the exhaust pipe. Sealing the joint with RTV silicone. Secure the pipe in place with one #10 1/2" metal screw. Install the casing and secure with metal screws provided. Install the cover by inserting the tab in the slot on the wall plate and secure with metal screws.



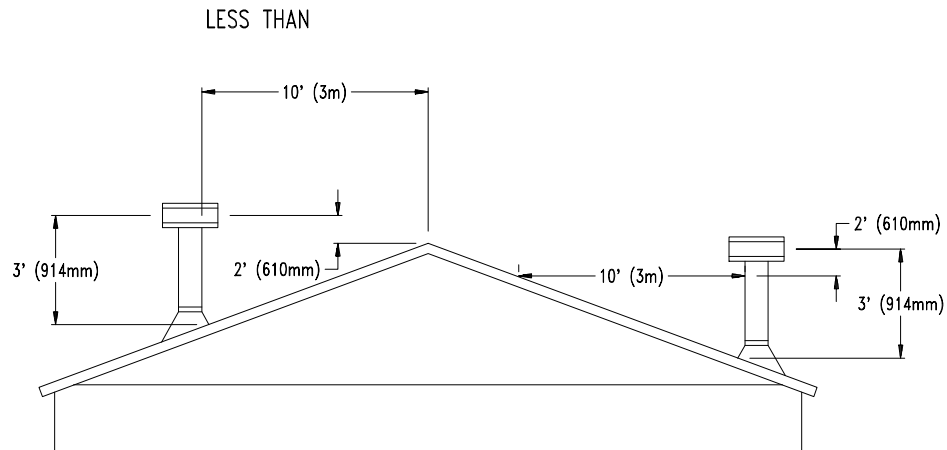
Seal around the terminal to prevent any water from leaking into the house. Seal both ends of the slot where the cover was inserted in wall plate with RTV silicone.

VENT TERMINAL, BASEMENT INSTALLATION

- Seal with RTV silicone between 8" diameter pipe and radiation shield inside and outside the building to prevent air passage.
- Fix the 4" flexible, pipe with the locking band and with RTV silicone.
- Fix the wall plate with 4 wood screws # 10 x 2-1\2" (supplied)
- Seal around the terminal to prevent water leakage into the house

VENT TERMINAL, ROOF INSTALLATION

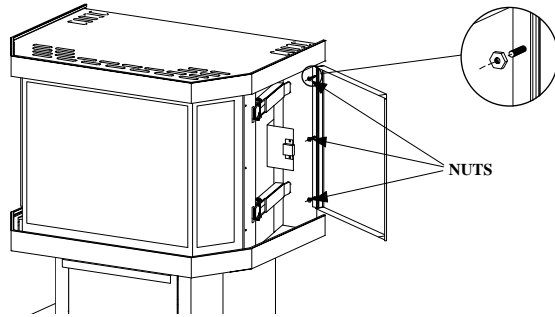
- Here are the distance requirements for roof terminal installation.



- Clearance between combustible wall and vent pipe must be 2" and a radiation shield must be used to cross and insulated wall.
- If vent terminal is more than 5 feet above the roof use roof braces to secure the whole assembly

INSTALLATION OF SIDE PANELS AND PEDESTAL

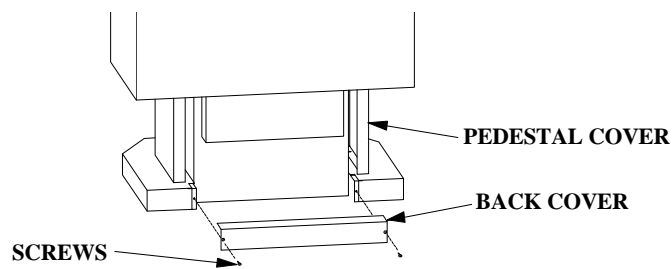
- Remove the three nuts on each side of the stove.
- Place both panels in position and only screw the nuts back on manually.
- Align the panels with the gold trim and tighten all nuts.



Pedestal cover :

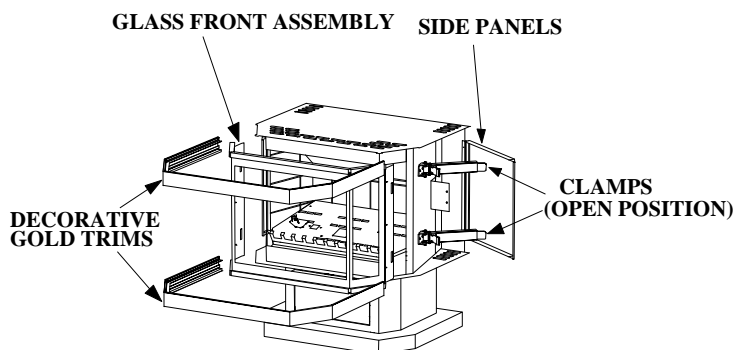
Slide the pedestal cover over the pedestal from the front.

Place the back cover on the pedestal cover and secure with the supplied screws.



- The paint on your stove will produce light smoke and fumes when heated for the first time. We recommend you light the stove and let it burn for at least an hour while providing good ventilation in the room. This will cure the paint and help preserve its quality.

GLASS FRONT REMOVAL, CLEANING AND INSTALLATION



Removal :

- Let the stove cool down for at least one hour.
- Remove the decorative gold trim from the stove.
- Open both side panels.
- Open the four clamps.
- Remove the glass front assembly.

CAUTION : Do not operate your fireplace without a glass front or with a broken glass.

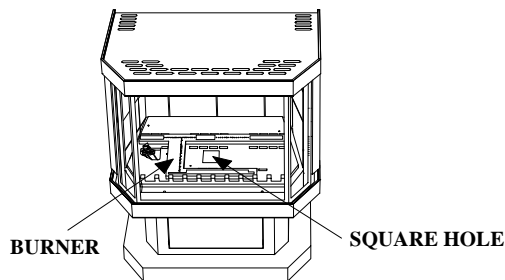
Cleaning :

- Only clean the glass when cold.
- Clean with liquid type cleaners or soap and water; do not use abrasive cleaners, which can scratch the glass.

Installation :

- Put the glass front assembly back in position.
- Insert the hooks of all four clamps in the glass front slots.
- Tighten both top clamps simultaneously.
- Tighten both bottom clamps simultaneously.
- Close the side panels and install both decorative trim pieces.

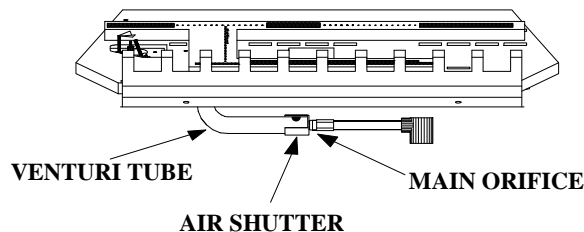
BURNER REMOVAL AND INSTALLATION :



REMOVAL :

- Remove the glass front assembly as shown on page 20.
- Slide the burner to the left and pull toward you.

INSTALLATION :



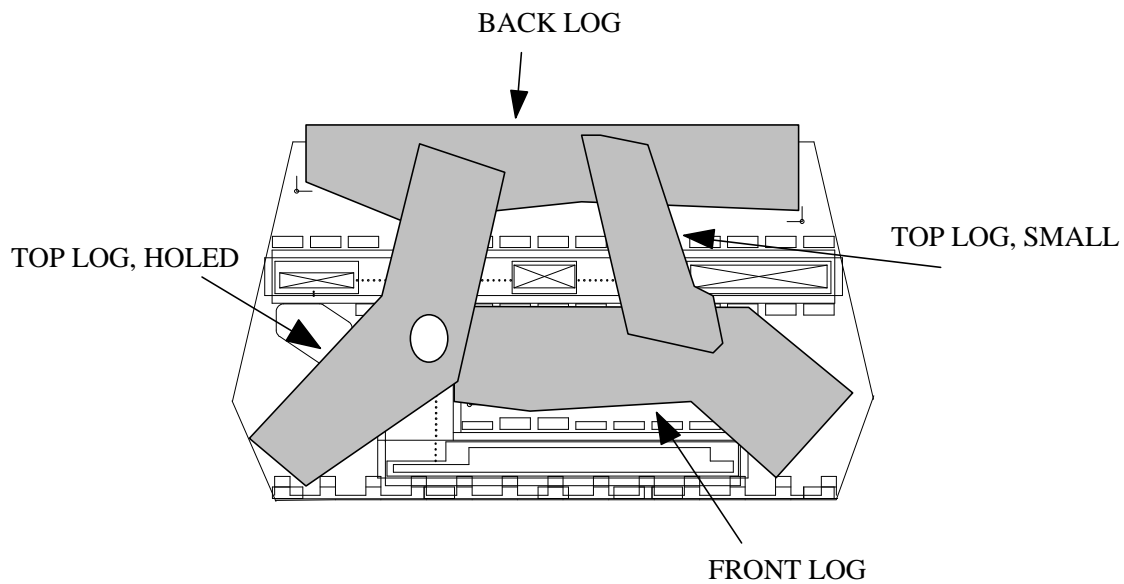
Put the burner assembly back in the fire box and push to the right. Make sure the main orifice is inserted in the venturi tube by looking through the square hole shown. There should be no gap between the venturi tube and the orifice assembly. Of there is any, it should be filled with silicone washer available from Drolet Stoves & Fireplaces inc.

WARNING : NEVER OPERATE THE GAS STOVE WITHOUT HAVING THE ORIFICE PROPERLY INSERTED IN THE VENTURI TUBE. THIS COULD RESULT IN SERIOUS DAMAGE TO THE GAS INSERT AND IS A SERIOUS RISK OF FIRE .

NOTE : For an optimal performance the air shutter opening should be 1/16" to 1/8" opening for natural gas and 1/4" to 5/16" for L.P. gas.

LOG INSTALLATION :

1. Remove the glass front as described on page 20.
2. Install the longer log in back of the firebox with locating grooves on top.
3. Install the 14" log in the front of the firebox and to the right. Make sure the log is pushed against the metal retainer on the burner face.
4. Place the front of the log with a hole in the first notch from the left in the log holder at the front of the burner and position its back in the back log groove. It should be touching the 14" log.
5. Place the smallest log sideways on top of both the back and 14" logs with the bend toward the front.
6. Put the glass front assembly back in place.



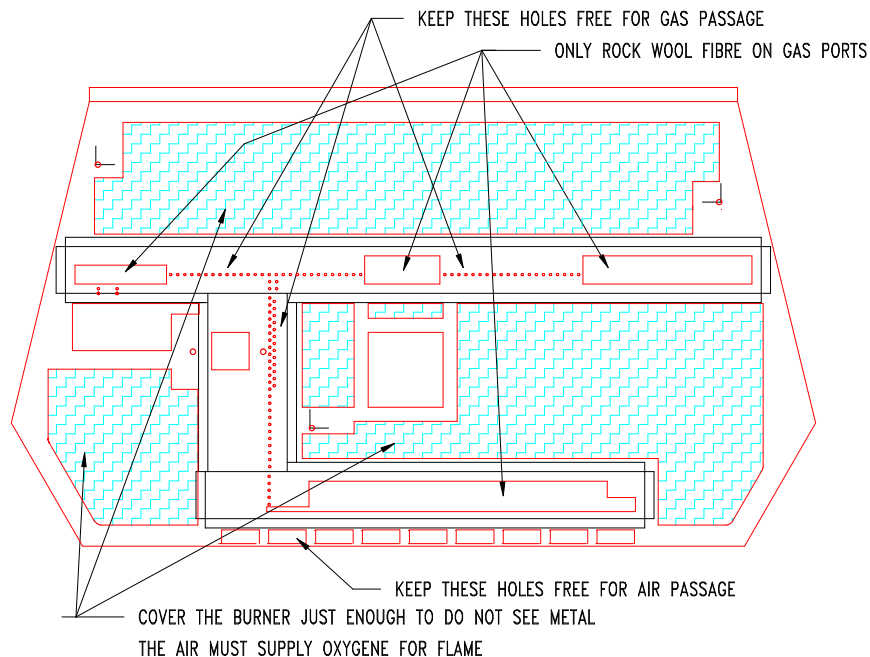
EMBER KIT INSTALLATION :

Threesmall plastic bags are supplied with your unit. One of the bags contains vermiculite to simulate ashes in the fire box, another contains lava rock to simulate coals and the last one is filled with rock wool fibre which, when glowing red, resembles hot embers. (follow instruction on the next drawing)

1. Place some vermiculite and some lava rocks at the bottom of the fire box and on top of the burner plate. Never put too much of these material on the burner. **The air must pass through the burner easily for oxygen supply.**

CAUTION : Blocking gas ports with vermiculite or lava rock will result in poor light-up performance and delayed ignition.

2. Place five or six pieces of rock wool fibre approximately 1" large on top of the front gas ports. Place two or three pieces over each of the back gas ports. Make sure not to put too many pieces as this could result in an altered flame pattern and possible carbondeposition.



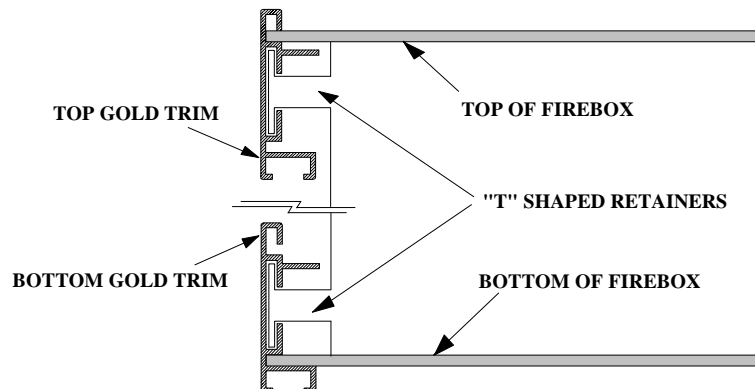
L9003A.dwg

REFRACTORY PANELS INSTALLATION:

1. Remove the glass front assembly.
2. Remove the logs from the firebox.
3. Place the back refractory against the back of the firebox.
4. Install the two side refractory panels by sliding them between the firebox sides and the baffle plate.
5. Put the logs back in place.
6. Install the glass front assembly.

GOLD TRIM INSTALLATION:

Slide both trim pieces from the front over the edges of the stove firebox . Make sure the back end of each piece is inserted over the T-shaped retainers as shown.



OPERATING INSTRUCTIONS

LIGHTING INSTRUCTIONS:

1. Open the pedestal cover front panel to reach the control.
2. Turn the gas valve knob to the "OFF" position and wait 5 minutes.
3. Turn the gas valve knob to "PILOT".
4. Depress and hold the knob while lighting the pilot by pressing the pilot igniter button (RED button right of the valve). Keep the knob depressed for about 30 seconds. Release the knob. The pilot should continue to burn by itself. If not, repeat step 4.

Note: You may need to press the pilot igniter button more than once to light the pilot.

5. Turn the gas valve knob counterclockwise until the main flame ignites.

NOTE : This valve is equipped with a modulating thermostat that will automatically adjust flame height according to room temperature. As room temperature approaches the value set by the knob (anywhere between HI and LOW on the knob), the flame will decrease in height. When the room reaches the set temperature, the flame will go out. To restart flame, turn the knob to a higher setting or wait for room temperature to decrease below actual setting. The calibration of the thermostat is approximately 55°F at LOW and 100°F at HI.

SHUTDOWN INSTRUCTIONS

Main burner only: Turn the gas valve knob clockwise to the pilot position.

Note : Pushing on the knob while turning to extinguish the main flame will prevent the OFF position from accidentally being set.

Pilot and Main burner: Turn the gas valve to the "OFF" position.

FAN OPERATION :

To turn the air blower "ON" or "OFF", turn the variable speed control clockwise until you hear a click. The fan will not start if the appliance is cold. Operate the gas stove for at least 15 minutes to heat up the thermo-switch. The fan will turn itself off about 40 minutes after extinction of the main flame.

MAINTENANCE INSTRUCTIONS :

TURN OFF THE GAS WITH THE SHUTDOWN VALVE AND THE ELECTRICAL POWER BEFORE SERVICING THE APPLIANCE.

The venting system and the gas stove should be inspected at least once a year.

Remove the glass front and the logs and clean them if necessary.

The control compartment, air circulating passages, firebox, logs and burner should be cleaned at least once a year by vacuuming or brushing.

Check the pilot flame to see if it is adjusted properly. Readjust the pilot flame if necessary (as described below) or clean the pilot orifice if readjustment is not possible.

Check the burner for flame lifting or for unusual flame pattern. If necessary clean the burner orifice.

Keep the area clear and free from combustible materials, gasoline and other flammable vapours and liquids.

BURST DISC REPLACEMENT:

If burst disc under burner move from its location, it must be put back in place into the silicone extrusion. Be careful to activate the switch during the installation otherwise the appliance will not operate.

WARNING: Never glue or lubricate the disc to the silicone extrusion. Do not put any object under the disc.

OPTIONAL PARTS

ITEM DESCRIPTION	QTY
Pedestal and side panels almond enamel	1
Pedestal and side panels black enamel	1
Pedestal and side panels black painted	1
Decorative refractory kit	1
Gold plated door trims	1

REPLACEMENT PARTS

ITEM DESCRIPTION	QTY
4 Log kit	1
Burner assembly	1
Burner orifice, (natural gas or propane)	1
Pilot assembly, (natural gas or propane) S.I.T.	1
Thermocouple S.I.T.	1
Piezo igniter S.I.T.	1
Gas valve, (natural gas or propane) Eurosit 630	1
Glass (side or front)	1
Variable speed control	1
Blower	1
Thermo-switch	1
Burst disc kit	1
Interrupteur block	1

LIMITED 5 YEARS WARRANTY

DROLET STOVES AND FIREPLACES INC. hereby warrants the quality of its ULTRA FLAME direct vent gas stove against manufacturing defects. The product shall be delivered to the buyer in good condition and the latter should inform the vendor immediately of any defect in the product delivered.

During the first year of the limited warranty, DROLET STOVES AND FIREPLACES INC. will provide free replacement parts for the fireplace gas stove except for the glass assembly. DROLET STOVES AND FIREPLACES INC. will cover labour-related costs deemed reasonable by the company. All other costs related to dismantling the structure, decoration, venting system, etc. are the responsibility of the fireplace gas stove owner.

During the second to the fifth year of the limited warranty, DROLET STOVES AND FIREPLACES INC. will replace defective parts free of charge except the VALVE, IGNITION CONTROL, BURNER ASSEMBLY, LOGS, GLASS ASSEMBLY, REFRACTORY, BLOWER and BLOWER CONTROL. DROLET STOVES AND FIREPLACES INC. will not compensate for labour costs related to parts replacement.

The warranty is conditional upon proper installation in accordance with the manufacturer's instructions.

All repairs must be approved by an official representative of the company before being undertaken.

The delivery costs of all replacement parts provided by DROLET STOVES AND FIREPLACES INC. are the responsibility of the client.

This warranty may not be transferred to a second person and becomes effective on the date the product is purchased.

The warranty may not be extended in any way by our representatives, dealers or any other intervening party.

No other claim of any nature whatsoever shall be considered by the vendor or manufacturer.

DROLET STOVES AND FIREPLACES INC.

1700 Leon Harmel

Quebec (Qc) Canada G1N 4R9